

AIR FILTRATION  
**H**  
**F** FILTRATION  
SYSTEMS





# Fumée sèches et poussières



## 6. Banc aspirant PC® BENCH

PC BENCH est une nouvelle gamme de bancs aspirants, étudiée pour garantir, en présence de fumées ou de matériaux poudreux, une zone de travail qui permette la sécurité des opérateurs et de l'environnement.

### APPLICATIONS

- ✓ Meulage
- ✓ Usinages divers



## PC®BENCH V SERIES

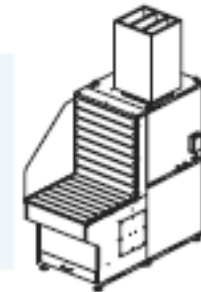
### ► NOMENCLATURE

PC  
PC®

XX  
CARTRIDGE  
NUMBER

BENCH  
SUCTION  
BENCH

V  
WITH  
FAN



### ► TECHNICAL SPECIFICATIONS

V SERIES	AIRFLOW	STATIC PRESSURE	INSTALLED POWER	FILTERING SURFACE	FILTRATION VELOCITY	SUCTION PLAN	SUCTION FRONT
HF Code	[m³/h]	[Pa]	[kW]	[m²]	[m/s]	[mm]	[mm]
PC04BENCHV	3000	2100	3	40	0,02	850 x 800	850 x 900
PC08BENCHV	6000	2000	5,5	80	0,02	1700 x 800	1700 x 900

### ► INCLUDED IN THE PRICE



Cellulose cartridges  
10m² each



Electrical fan complete of motor, premium brand, EU origin IE3 class efficiency according to the IEC EN 60034-30-1 - PREMIUM EFFICIENCY regulation



Prewired multipole plug complete of connector up to 4 kW motor - PLUG&PLAY system



Nº2 side walls that can be disassembled



Reinforced staves in galvanized steel with static load of 250 kg/m²



Sequencer for cartridge self-cleaning system management, power supply 230 VAC 50/60 HZ



Waste drawer



Key locked handle on every maintenance access panel



Thermosetting epoxy resin based ST powder coating



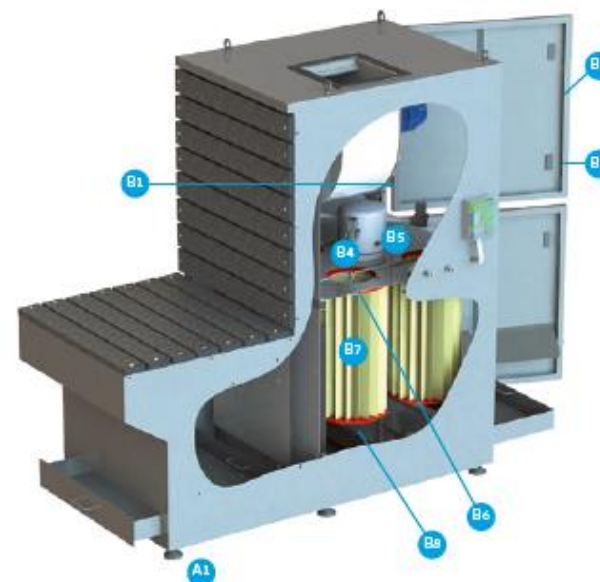
Packing suitable for truck transportation according to Hfiltration standard



CE certification manuals accompanying

## SPARE PARTS - PC®BENCH V SERIES

SPARE PARTS		
Item	HF Code	Description
A1	PS0220	Levelling feet
B1	PS0216	Door hinge
B2	PS0250	Door seal 1 roll 20 mt
B3	PS0216	Door handle with key
B4	PS0180	Electrovalve
B5	PS0442	Spider box
B6	PS.015	Tie-rod
B7	See chart 1.3.2	Cartridge
B8	PS0316	Knob

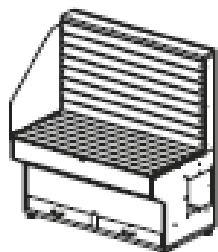


### DP-LED Cyclic Timer with integrated DP control

On the filter is installed a 3-color LED strip green, yellow, red. The strip is mounted on the front of the filter and allows the operator to have a clear view of the clogging state of the cartridges.

- GREEN LED - Normal operating status
- YELLOW LED - Pre-alarm status
- RED LED - Status of clogged cartridges





## ► NOMENCLATURE

**PC**  
PC°

**XX**  
CARTRIDGE  
NUMBER

**BENCH**  
SUCTION  
BENCH

**S**  
WITHOUT  
FAN

**P**  
SUCTION  
PLAN

**PC°BENCH  
S SERIES**

## ► TECHNICAL SPECIFICATIONS

S SERIES	AIRFLOW	SUCTION PLAN	SUCTION FRONT
HF Code	[m <sup>3</sup> /h]	[mm]	[mm]
PC04BENCHS	3000	850 x 800	850 x 900
PC08BENCHS	6000	1700 x 800	1700 x 900
PC04BENCHSP	2000	850 x 800	-
PC08BENCHSP	4000	1700 x 800	-

### ► INCLUDED IN THE PRICE



cellulose cartridges 10 m<sup>2</sup> each



N°2 side walls that can be disassembled.



Reinforced staves in galvanized steel with static load of 250 kg/m<sup>2</sup>.



Waste drawer



Thermosetting epoxy resin based ST powder coating



Packing suitable for truck transportation according to Hfiltration standard.



CE certification manuals accompanying