



DIN 2080
Attacchi con cono ISO
*Attachments with
ISO cone*

5



5. MANDRINI a cono ISO DIN 2080

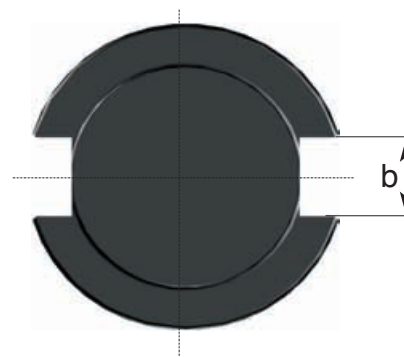
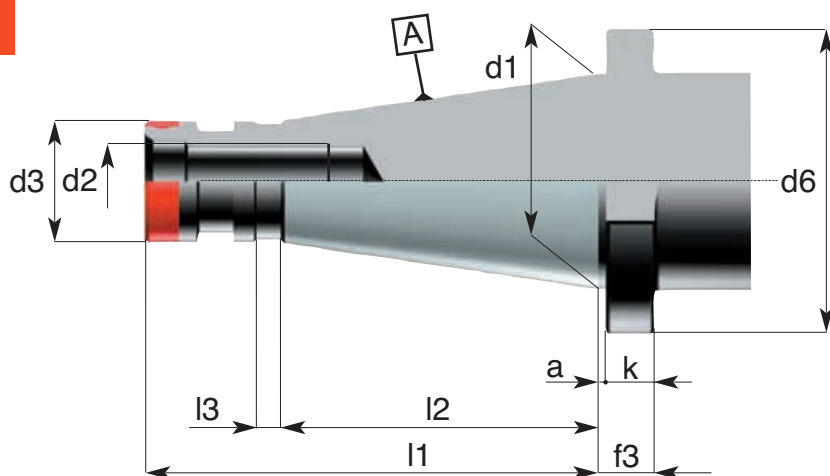
TOOL HOLDERS with ISO cone DIN 2080



ACCESSORI PER MACCHINE UTENSILI

DIN 2080

Attacchi DIN 2080



| Riferimento Item | a | b H12 | d1 | d2 | d3 H7 | d6 | f3 | l1 | l2 | l3 | k |
|---------------------|-----|----------|--------|-----|----------|------|------|-------|-------|----|----|
| ISO 30 | 1.6 | 16.1 | 31.75 | M12 | 17.11 | 50 | 9.6 | 68.4 | 48.4 | 3 | 8 |
| ISO 40 | 1.6 | 16.1 | 44.45 | M16 | 25 | 63 | 11.6 | 93.4 | 65.4 | 5 | 10 |
| ISO 50 | 3.2 | 25.7 | 69.85 | M24 | 40 | 97.5 | 15.2 | 126.8 | 101.8 | 8 | 12 |
| ISO 60 | 3.2 | 25.7 | 107.95 | M30 | 60 | 156 | 19.2 | 206.8 | 161.8 | 10 | 16 |

CARATTERISTICHE TECNICHE DEI MANDRINI ISO

- Costruiti in acciaio da cementazione legato
- Cementati con profondità 0,8-1mm
Temprati • Rinvenuti • Sabbiati e bruniti
- Durezza HRC 58±2 • Resistenza al nucleo 800-1000 N/mm²
- Rettificati di precisione esternamente, internamente e nelle filettature delle ghiera chiudipinza
- Controllati con strumenti di misura certificati
- La tolleranza di precisione dei coni ISO è inferiore ad AT3

STANDARD FEATURES OF ISO TOOLING

- Manufactured with Nickel Chrome Molybdenum steel
- Carburized with depth of case 0,8-1 mm
• Hardened and tempered • Black oxidized
- Surface Hardness RC 58±2 • Tensile strenght of core 800-1000 N/mm²
- Precision ground on shanks, inside tapers and collet nut threads
- Tested with high precision inspection and gaging equipment
- Taper accuracy of ISO SHANKS lower than AT3

ACCESSORI PER MACCHINE UTENSILI

Portafrese combinati con trascinamento frontale e chiave DIN 6358

Combined milling cutter chucks DIN 6358 B

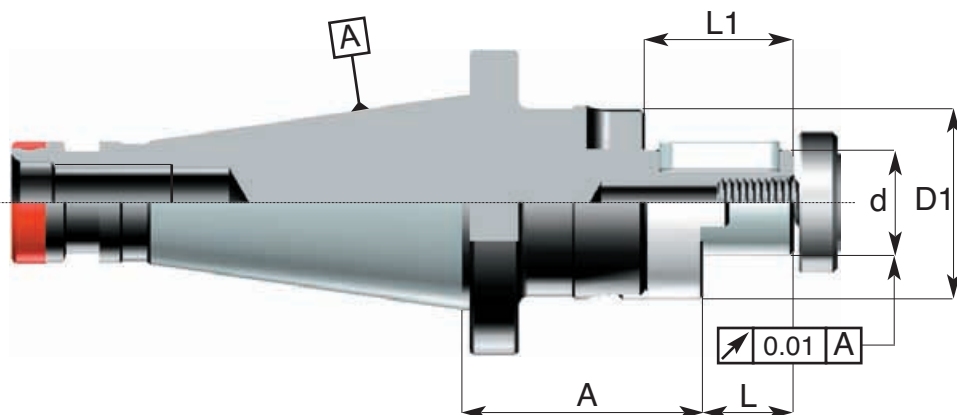
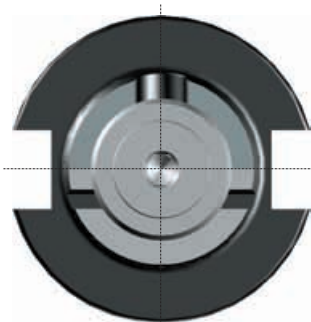
Kombi-Aufsteckfräserdorne DIN 6358 B

Mandrins porte-fraises combinés DIN 6358 B

DIN 2080



ART: 130



5.
3

| Codice di ord Code | SK | d h6 | A | L | L1 | D1 | Trascinatore Ring | Vite Screw | Linguetta Key |
|-----------------------|-------|---------|-----|----|----|----|----------------------|---------------|------------------|
| 130.30.0160 | SK 30 | 16 | 42 | 17 | 27 | 32 | 190.01 | 191.01 | 130.199.01 |
| 130.30.0162 | SK 30 | 16 | 75 | 17 | 27 | 32 | 190.01 | 191.01 | 130.199.01 |
| 130.30.0220 | SK 30 | 22 | 45 | 19 | 31 | 40 | 190.02 | 191.02 | 130.199.02 |
| 130.30.0222 | SK 30 | 22 | 75 | 19 | 31 | 40 | 190.02 | 191.02 | 130.199.02 |
| 130.30.0270 | SK 30 | 27 | 46 | 21 | 33 | 48 | 190.03 | 191.03 | 130.199.03 |
| 130.30.0272 | SK 30 | 27 | 71 | 21 | 33 | 48 | 190.03 | 191.03 | 130.199.03 |
| 130.40.0160 | SK 40 | 16 | 45 | 17 | 27 | 32 | 190.01 | 191.01 | 130.199.01 |
| 130.40.0162 | SK 40 | 16 | 90 | 17 | 27 | 32 | 190.01 | 191.01 | 130.199.01 |
| 130.40.0220 | SK 40 | 22 | 50 | 19 | 31 | 40 | 190.02 | 191.02 | 130.199.02 |
| 130.40.0222 | SK 40 | 22 | 90 | 19 | 31 | 40 | 190.02 | 191.02 | 130.199.02 |
| 130.40.0270 | SK 40 | 27 | 50 | 21 | 33 | 48 | 190.03 | 191.03 | 130.199.03 |
| 130.40.0272 | SK 40 | 27 | 90 | 21 | 33 | 48 | 190.03 | 191.03 | 130.199.03 |
| 130.40.0320 | SK 40 | 32 | 50 | 24 | 38 | 58 | 190.04 | 191.04 | 130.199.04 |
| 130.40.0322 | SK 40 | 32 | 105 | 24 | 38 | 58 | 190.04 | 191.04 | 130.199.04 |
| 130.40.0400 | SK 40 | 40 | 59 | 27 | 41 | 75 | 190.05 | 191.05 | 130.199.05 |
| 130.40.0402 | SK 40 | 40 | 105 | 27 | 41 | 75 | 190.05 | 191.05 | 130.199.05 |
| 130.50.0160 | SK 50 | 16 | 52 | 17 | 27 | 32 | 190.01 | 191.01 | 130.199.01 |
| 130.50.0162 | SK 50 | 16 | 105 | 17 | 27 | 32 | 190.01 | 191.01 | 130.199.01 |
| 130.50.0220 | SK 50 | 22 | 58 | 19 | 31 | 40 | 190.02 | 191.02 | 130.199.02 |
| 130.50.0222 | SK 50 | 22 | 105 | 19 | 31 | 40 | 190.02 | 191.02 | 130.199.02 |
| 130.50.0270 | SK 50 | 27 | 56 | 21 | 33 | 48 | 190.03 | 191.03 | 130.199.03 |
| 130.50.0272 | SK 50 | 27 | 105 | 21 | 33 | 48 | 190.03 | 191.03 | 130.199.03 |
| 130.50.0320 | SK 50 | 32 | 56 | 24 | 38 | 58 | 190.04 | 191.04 | 130.199.04 |
| 130.50.0322 | SK 50 | 32 | 105 | 24 | 38 | 58 | 190.04 | 191.04 | 130.199.04 |
| 130.50.0400 | SK 50 | 40 | 58 | 27 | 41 | 70 | 190.05 | 191.05 | 130.199.05 |
| 130.50.0402 | SK 50 | 40 | 105 | 27 | 41 | 70 | 190.05 | 191.05 | 130.199.05 |
| 130.50.0500 | SK 50 | 50 | 61 | 30 | 46 | 90 | 190.06 | 191.06 | 130.199.06 |
| 130.50.0502 | SK 50 | 50 | 120 | 30 | 46 | 90 | 190.06 | 191.06 | 130.199.06 |

Pag. 12/24



Pag. 12/25



5. MANDRINI a cono ISO DIN 2080

TOOL HOLDERS with ISO cone DIN 2080



Alberi portafrese cono ISO DIN 6354 - 6355 per fresatrici con naso mandrino DIN 2079
 Cutters arbors ISO DIN 6354 - 6355 cone for milling machines with DIN 2079 spindle nose
 Längsfräsdome mit Steilkegel DIN 6354 - 6355 für Fräsmaschinen DIN 2079
 Arbres porte-fraises à cône ISO DIN 6354 - 6355 pour fraiseuses à nez de broche DIN 2079

ACCESSORI PER MACCHINE UTENSILI

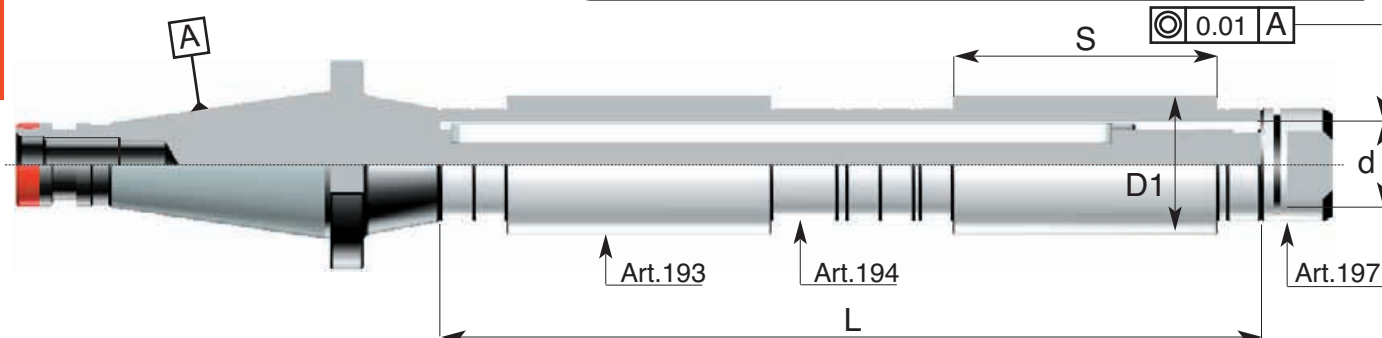
DIN 2080



ART: 141

Completì di distanziali e bussole di guida

Delivered with guide sleeves and spacer rings
 Geliefert mit Führungsbuchsen und Distanzstücke
 Dotés de entretoises et douilles de guidage



| Codice di ord Code | SK | d h6 | L | Ghiere Nut |
|-----------------------|-------|---------|-----|---------------|
| 141.30.0160 | SK 30 | 16 | 315 | 19701 |
| 141.30.0162 | SK 30 | 16 | 400 | 19701 |
| 141.30.0220 | SK 30 | 22 | 315 | 19702 |
| 141.30.0222 | SK 30 | 22 | 400 | 19702 |
| 141.30.0270 | SK 30 | 27 | 315 | 19703 |
| 141.30.0272 | SK 30 | 27 | 400 | 19703 |
| 141.40.0160 | SK 40 | 16 | 315 | 19701 |
| 141.40.0162 | SK 40 | 16 | 400 | 19701 |
| 141.40.0220 | SK 40 | 22 | 400 | 19702 |
| 141.40.0222 | SK 40 | 22 | 500 | 19702 |
| 141.40.0270 | SK 40 | 27 | 400 | 19703 |
| 141.40.0272 | SK 40 | 27 | 500 | 19703 |
| 141.40.0320 | SK 40 | 32 | 400 | 19704 |
| 141.40.0322 | SK 40 | 32 | 500 | 19704 |
| 141.40.0400 | SK 40 | 40 | 400 | 19705 |
| 141.40.0402 | SK 40 | 40 | 500 | 19705 |
| 141.50.0220 | SK 50 | 22 | 400 | 19702 |
| 141.50.0222 | SK 50 | 22 | 500 | 19702 |
| 141.50.0270 | SK 50 | 27 | 400 | 19703 |
| 141.50.0272 | SK 50 | 27 | 500 | 19703 |
| 141.50.0320 | SK 50 | 32 | 500 | 19704 |
| 141.50.0322 | SK 50 | 32 | 630 | 19704 |
| 141.50.0400 | SK 50 | 40 | 500 | 19705 |
| 141.50.0402 | SK 50 | 40 | 630 | 19705 |
| 141.50.0404 | SK 50 | 40 | 800 | 19705 |
| 141.50.0500 | SK 50 | 50 | 500 | 19706 |
| 141.50.0502 | SK 50 | 50 | 630 | 19706 |
| 141.50.0504 | SK 50 | 50 | 800 | 19706 |
| 141.50.0602 | SK 50 | 60 | 630 | 19707 |
| 141.50.0604 | SK 50 | 60 | 800 | 19707 |



-Nell'ordine indicare le quote D1 ed S delle bussole di guida (vd. ART. 193). Dado di bloccaggio con filetto sinistro (ART. 197).

-In order state dimensions D1 and S of guide sleeves (see ART.193). End thread and nut left hand (ART.197).

-Im Auftrag angeben die Maße D1 und S der Führungsbuchsen (ART.193). End- und Muttergewinde linksgängig (ART. 197).

-Lorsque vous passez la commande, veuillez indiquer les cotes D1 et S des douilles de guidage (voir ART. 193). Le filet terminal et l'écrou ont un filetage à gauche (ART. 197).

ACCESSORI PER MACCHINE UTENSILI

Portafrese con trascinamento frontale per frese a manicotto DIN 138

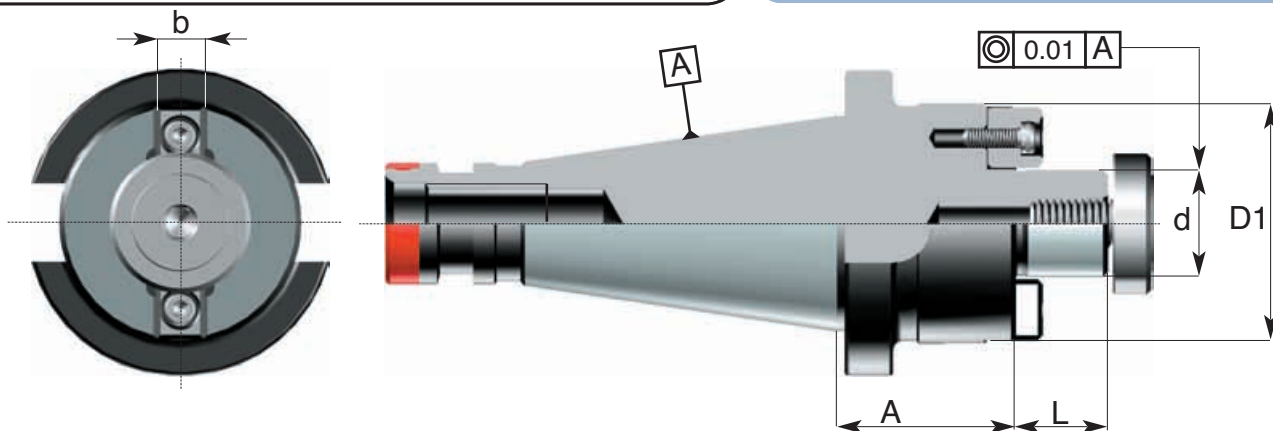
Face milling cutter chucks DIN 138

Aufsteckfräserdorne DIN 138

Mandrins porte-fraises à surfacer DIN 138

DIN 2080

ART: 150



5.
5

| Codice di ord Code | SK | d h6 | A | L | D1 | b | Tassello Tenon | Vite Screw |
|-----------------------|-------|---------|-----|----|----|----|-------------------|---------------|
| 150.40.0160 | SK 40 | 16 | 37 | 17 | 40 | 8 | 192.06 | 191.01 |
| 150.40.0162 | SK 40 | 16 | 100 | 17 | 40 | 8 | 192.06 | 191.01 |
| 150.40.0220 | SK 40 | 22 | 37 | 19 | 50 | 10 | 192.07 | 191.02 |
| 150.40.0222 | SK 40 | 22 | 100 | 19 | 50 | 10 | 192.07 | 191.02 |
| 150.40.0270 | SK 40 | 27 | 37 | 21 | 60 | 12 | 192.08 | 191.03 |
| 150.40.0272 | SK 40 | 27 | 100 | 21 | 60 | 12 | 192.08 | 191.03 |
| 150.40.0320 | SK 40 | 32 | 42 | 24 | 70 | 14 | 192.09 | 191.04 |
| 150.40.0322 | SK 40 | 32 | 100 | 24 | 70 | 14 | 192.09 | 191.04 |
| 150.40.0400 | SK 40 | 40 | 44 | 27 | 80 | 16 | 192.10 | 191.05 |
| 150.40.0402 | SK 40 | 40 | 100 | 27 | 80 | 16 | 192.10 | 191.05 |
| 150.40.0500 | SK 40 | 50 | 44 | 31 | 88 | 18 | 192.11 | 191.06 |
| 150.40.0502 | SK 40 | 50 | 100 | 31 | 88 | 18 | 192.11 | 191.06 |
| 150.50.0160 | SK 50 | 16 | 45 | 17 | 40 | 8 | 192.06 | 191.01 |
| 150.50.0162 | SK 50 | 16 | 120 | 17 | 40 | 8 | 192.06 | 191.01 |
| 150.50.0220 | SK 50 | 22 | 45 | 19 | 50 | 10 | 192.07 | 191.02 |
| 150.50.0222 | SK 50 | 22 | 120 | 19 | 50 | 10 | 192.07 | 191.02 |
| 150.50.0270 | SK 50 | 27 | 45 | 21 | 60 | 12 | 192.08 | 191.03 |
| 150.50.0272 | SK 50 | 27 | 120 | 21 | 60 | 12 | 192.08 | 191.03 |
| 150.50.0320 | SK 50 | 32 | 45 | 24 | 75 | 14 | 192.09 | 191.04 |
| 150.50.0322 | SK 50 | 32 | 120 | 24 | 75 | 14 | 192.09 | 191.04 |
| 150.50.0400 | SK 50 | 40 | 45 | 27 | 85 | 16 | 192.10 | 191.05 |
| 150.50.0402 | SK 50 | 40 | 120 | 27 | 85 | 16 | 192.10 | 191.05 |
| 150.50.0500 | SK 50 | 50 | 45 | 31 | 95 | 18 | 192.11 | 191.06 |
| 150.50.0502 | SK 50 | 50 | 120 | 31 | 95 | 18 | 192.11 | 191.06 |

Pag: 12.26



Pag: 12.25



5. MANDRINI a cono ISO DIN 2080

TOOL HOLDERS with ISO cone DIN 2080



Portafrese con trascinamento frontale e linguetta DIN 138

Face milling cutter chucks DIN 138

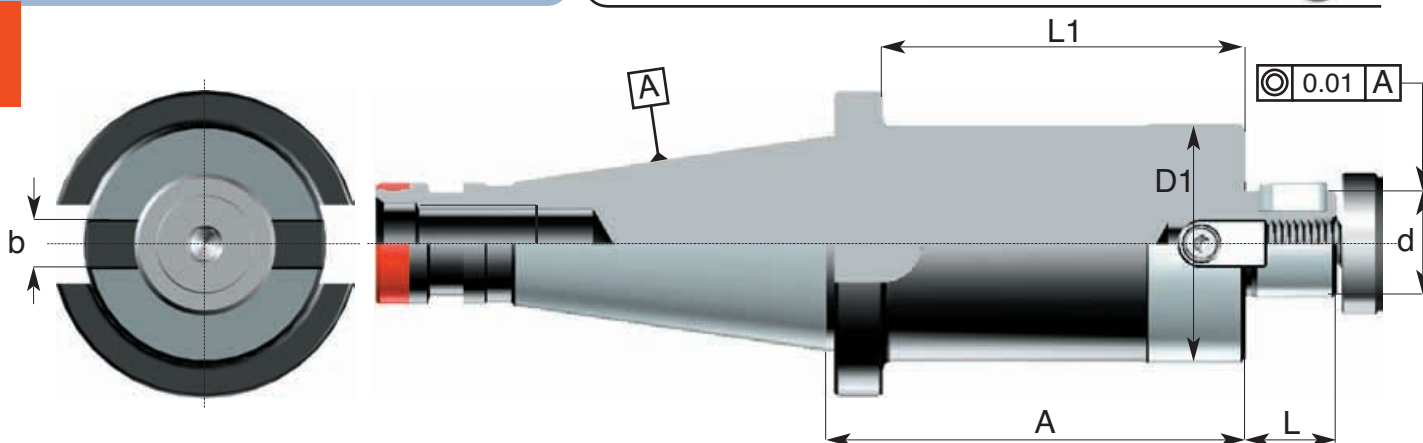
Aufsteckfräserdorne DIN 138

Mandrins porte-fraises à surfacer DIN 138

ACCESSORI PER MACCHINE UTENSILI

DIN 2080

ART: 151



| Codice di ord Code | SK | d h6 | A | L | L1 | D1 | b | Tassello Tenon | Vite Screw | Linguetta Key |
|-----------------------|-------|---------|-----|----|-----|----|----|-------------------|---------------|------------------|
| 151.40.0220 | SK 40 | 22 | 86 | 19 | 75 | 49 | 10 | 151.101 | 191.02 | 151.199.02 |
| 151.40.0222 | SK 40 | 22 | 111 | 19 | 100 | 49 | 10 | 151.101 | 191.02 | 151.199.02 |
| 151.40.0224 | SK 40 | 22 | 161 | 19 | 150 | 49 | 10 | 151.101 | 191.02 | 151.199.02 |
| 151.40.0226 | SK 40 | 22 | 211 | 19 | 200 | 49 | 10 | 151.101 | 191.02 | 151.199.02 |
| 151.40.0270 | SK 40 | 27 | 86 | 21 | 75 | 60 | 12 | 151.102 | 191.03 | 151.199.03 |
| 151.40.0272 | SK 40 | 27 | 111 | 21 | 100 | 60 | 12 | 151.102 | 191.03 | 151.199.03 |
| 151.50.0220 | SK 50 | 22 | 115 | 19 | 100 | 49 | 10 | 151.101 | 191.02 | 151.199.02 |
| 151.50.0222 | SK 50 | 22 | 165 | 19 | 150 | 49 | 10 | 151.101 | 191.02 | 151.199.02 |
| 151.50.0224 | SK 50 | 22 | 215 | 19 | 200 | 49 | 10 | 151.101 | 191.02 | 151.199.02 |
| 151.50.0225 | SK 50 | 22 | 265 | 19 | 250 | 49 | 10 | 151.101 | 191.02 | 151.199.02 |
| 151.50.0226 | SK 50 | 22 | 315 | 19 | 300 | 49 | 10 | 151.101 | 191.02 | 151.199.02 |
| 151.50.0228 | SK 50 | 22 | 365 | 19 | 350 | 49 | 10 | 151.101 | 191.02 | 151.199.02 |
| 151.50.0229 | SK 50 | 22 | 415 | 19 | 400 | 49 | 10 | 151.101 | 191.02 | 151.199.02 |
| 151.50.0270 | SK 50 | 27 | 115 | 21 | 100 | 60 | 12 | 151.102 | 191.03 | 151.199.03 |
| 151.50.0272 | SK 50 | 27 | 165 | 21 | 150 | 60 | 12 | 151.102 | 191.03 | 151.199.03 |
| 151.50.0274 | SK 50 | 27 | 215 | 21 | 200 | 60 | 12 | 151.102 | 191.03 | 151.199.03 |
| 151.50.0275 | SK 50 | 27 | 265 | 21 | 250 | 60 | 12 | 151.102 | 191.03 | 151.199.03 |
| 151.50.0276 | SK 50 | 27 | 315 | 21 | 300 | 60 | 12 | 151.102 | 191.03 | 151.199.03 |
| 151.50.0278 | SK 50 | 27 | 365 | 21 | 350 | 60 | 12 | 151.102 | 191.03 | 151.199.03 |
| 151.50.0279 | SK 50 | 27 | 415 | 21 | 400 | 60 | 12 | 151.102 | 191.03 | 151.199.03 |



ACCESSORI PER MACCHINE UTENSILI

Portafrese con trascinamento frontale per frese a manicotto DIN 6357/B

Centering arbors for milling cutters DIN 6357 B

Aufnahmedorne für Messerköpfe DIN 6357 B

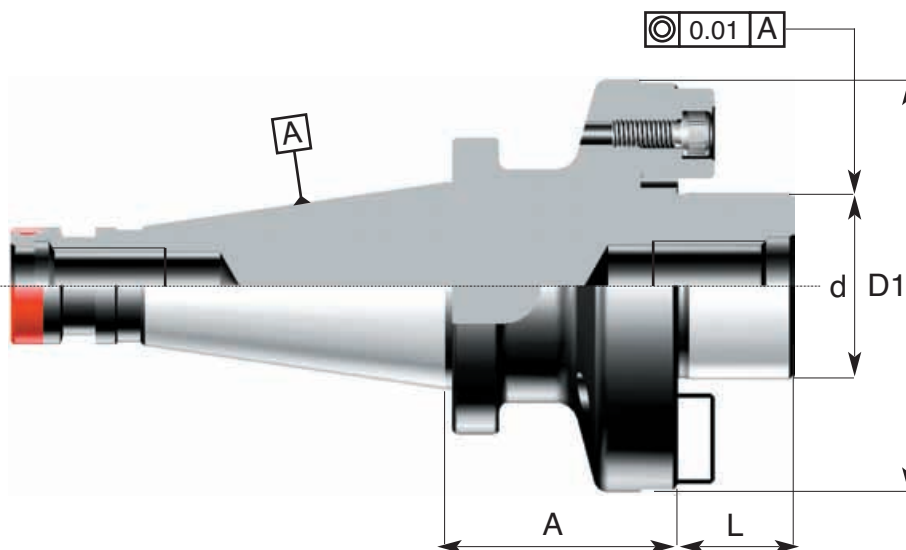
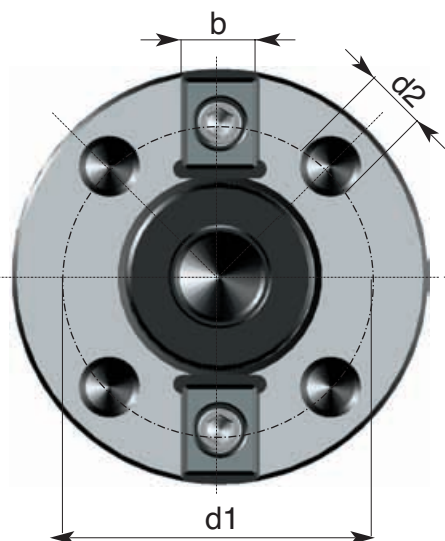
Mandrins porte-fraises pour têtes porte-lames DIN 6357 B

DIN 2080



ART: 160

5.
7



| Codice di ord Code | SK | d h6 | A | D1 h6 | d1 | d2 | L | b | Tassello Tenon |
|-----------------------|-------|---------|----|----------|-------|------|----|------|-------------------|
| 160.40.0690.32 | SK 40 | 32 | 50 | 69.832 | 54.00 | M 10 | 25 | 15.9 | 192.01 |
| 160.40.0880.40 | SK 40 | 40 | 50 | 88.882 | 66.70 | M 12 | 25 | 15.9 | 192.01 |
| 160.50.0880.40 | SK 50 | 40 | 60 | 88.882 | 66.70 | M 12 | 25 | 15.9 | 192.01 |
| 160.50.1280.60 | SK 50 | 60 | 67 | 128.570 | 101.6 | M 16 | 35 | 25.4 | 192.03 |
| 160.60.0880.40 | SK 60 | 40 | 75 | 88.882 | 66.70 | M 12 | 25 | 15.9 | 192.01 |
| 160.60.1280.60 | SK 60 | 60 | 75 | 128.570 | 101.6 | M 16 | 35 | 25.4 | 192.03 |

Pag. 12/27



5. MANDRINI a cono ISO DIN 2080

TOOL HOLDERS with ISO cone DIN 2080



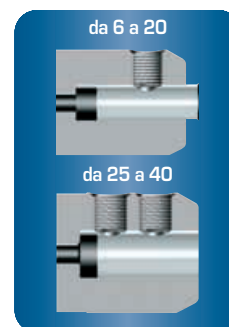
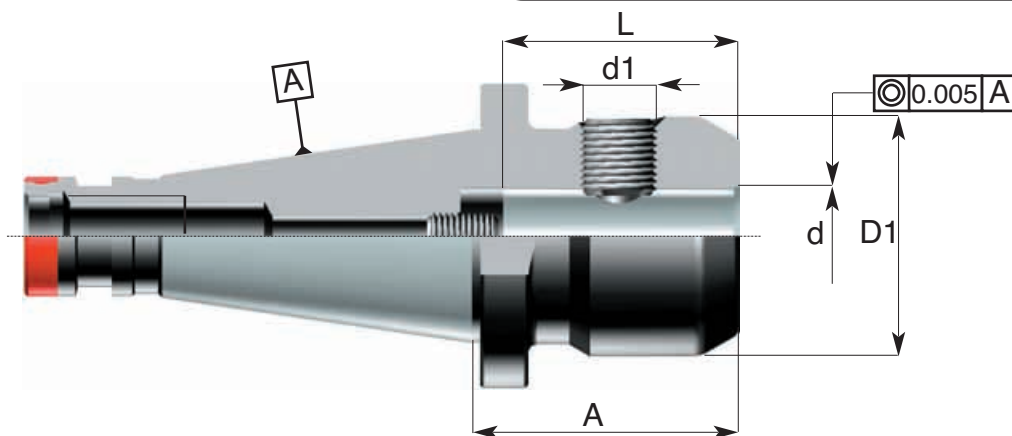
Portafrese cilindriche tipo weldon con vite di registrazione interna DIN 6359 B
 Milling cutter chucks for straight-shank tools - Weldon System DIN 6359 B
 Spannfutter Weldon für Zylinderschäfte DIN 6359 B
 Mandrins porte-Weldon pour fraises à queue cylindrique DIN 6359 B

ACCESSORI PER MACCHINE UTENSILI



DIN 2080

ART: 208



| Codice di ord Code | SK | d H5 | A | D1 | L | d1 | Grano di serraggio Clamping screw |
|-----------------------|-------|---------|-----|----|----|------------|--------------------------------------|
| 208.30.0060 | SK 30 | 6 | 40 | 25 | 35 | M6X10 | 208.00.0060 |
| 208.30.0080 | SK 30 | 8 | 40 | 28 | 35 | M8X10 | 208.00.0080 |
| 208.30.0100 | SK 30 | 10 | 40 | 35 | 39 | M10X12 | 208.00.0100 |
| 208.30.0120 | SK 30 | 12 | 45 | 42 | 44 | M12X1,5X16 | 208.00.0120 |
| 208.30.0160 | SK 30 | 16 | 50 | 48 | 47 | M14X1,5X16 | 208.00.0140 |
| 208.30.0200 | SK 30 | 20 | 63 | 52 | 49 | M16X1,5X16 | 208.00.0160 |
| 208.40.0060 | SK 40 | 6 | 50 | 25 | 35 | M6X10 | 208.00.0060 |
| 208.40.0080 | SK 40 | 8 | 50 | 28 | 35 | M8X10 | 208.00.0080 |
| 208.40.0100 | SK 40 | 10 | 50 | 35 | 39 | M10X12 | 208.00.0100 |
| 208.40.0120 | SK 40 | 12 | 50 | 42 | 44 | M12X1,5X16 | 208.00.0120 |
| 208.40.0160 | SK 40 | 16 | 63 | 48 | 47 | M14X1,5X16 | 208.00.0140 |
| 208.40.0180 | SK 40 | 18 | 63 | 50 | 47 | M14X1,5X16 | 208.00.0140 |
| 208.40.0200 | SK 40 | 20 | 63 | 52 | 49 | M16X1,5X16 | 208.00.0160 |
| 208.40.0250 | SK 40 | 25 | 85 | 65 | 54 | M18X1,5X20 | 208.00.0180 |
| 208.40.0320 | SK 40 | 32 | 90 | 72 | 58 | M20X1,5X20 | 208.00.0200 |
| 208.50.0060 | SK 50 | 6 | 50 | 25 | 35 | M6X10 | 208.00.0060 |
| 208.50.0080 | SK 50 | 8 | 50 | 28 | 35 | M8X10 | 208.00.0080 |
| 208.50.0100 | SK 50 | 10 | 50 | 35 | 39 | M10X12 | 208.00.0100 |
| 208.50.0120 | SK 50 | 12 | 50 | 42 | 44 | M12X1,5X16 | 208.00.0120 |
| 208.50.0140 | SK 50 | 14 | 63 | 44 | 44 | M12X1,5X16 | 208.00.0120 |
| 208.50.0160 | SK 50 | 16 | 63 | 48 | 47 | M14X1,5X16 | 208.00.0140 |
| 208.50.0200 | SK 50 | 20 | 63 | 52 | 49 | M16X1,5X16 | 208.00.0160 |
| 208.50.0250 | SK 50 | 25 | 80 | 65 | 54 | M18X1,5X20 | 208.00.0180 |
| 208.50.0320 | SK 50 | 32 | 80 | 72 | 58 | M20X1,5X20 | 208.00.0200 |
| 208.50.0400 | SK 50 | 40 | 90 | 80 | 68 | M20X1,5X20 | 208.00.0200 |
| 208.50.0500 | SK 50 | 50 | 100 | 90 | 78 | M24X2X20 | 208.00.0240 |



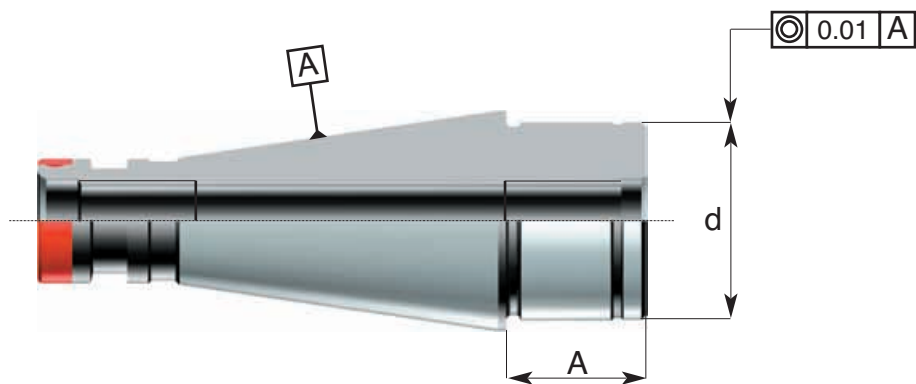
ACCESSORI PER MACCHINE UTENSILI



Mandrini di centraggio cono ISO DIN 6356 per frese secondo DIN 2079
 Centering chucks ISO DIN 6356 cone for cutters DIN 2079
 Zentrierdörner Steilkegel ISO DIN 6356 für Messerköpfe DIN 2079
 Mandrins de centrage à cône ISO DIN 6356 pour fraises DIN 2079

DIN 2080

ART: 230



5.
9

| Codice di ord Code | SK | A | d |
|-----------------------|-------|----|-----|
| 230.40.0320 | SK 40 | 30 | 32 |
| 230.40.0400 | SK 40 | 30 | 40 |
| 230.50.0500 | SK 50 | 40 | 50 |
| 230.50.0600 | SK 50 | 40 | 60 |
| 230.60.0600 | SK 60 | 40 | 60 |
| 230.60.1000 | SK 60 | 52 | 100 |

5. MANDRINI a cono ISO DIN 2080

TOOL HOLDERS with ISO cone DIN 2080



Mandrini portamorsetti autoserranti DIN 238

Taper shafts for drill chucks DIN 238

Bohrfutteraufnahmen DIN 238

Porte-mandrins de perceuses DIN 238

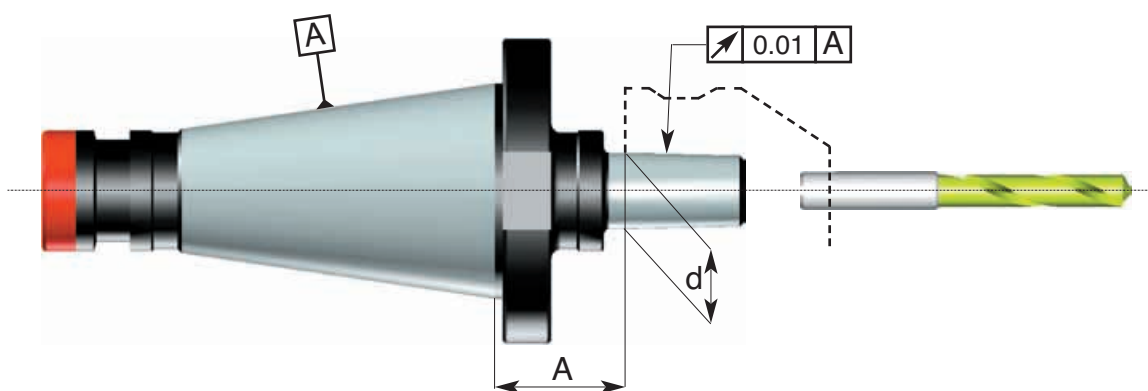
ACCESSORI PER MACCHINE UTENSILI



DIN 2080

ART: 220

5.
10



| Codice di ord Code | SK | Tipo Din | A | d |
|-----------------------|-------|-------------|----|--------|
| 220.30.0100 | SK 30 | B10 | 27 | 10.094 |
| 220.30.0120 | SK 30 | B12 | 27 | 12.065 |
| 220.30.0160 | SK 30 | B16 | 25 | 15.733 |
| 220.30.0180 | SK 30 | B18 | 27 | 17.780 |
| 220.40.0120 | SK 40 | B12 | 30 | 12.065 |
| 220.40.0160 | SK 40 | B16 | 30 | 15.733 |
| 220.40.0180 | SK 40 | B18 | 30 | 17.780 |
| 220.50.0160 | SK 50 | B16 | 40 | 15.733 |
| 220.50.0180 | SK 50 | B18 | 40 | 17.780 |
| 220.50.0220 | SK 50 | B22 | 40 | 23.827 |

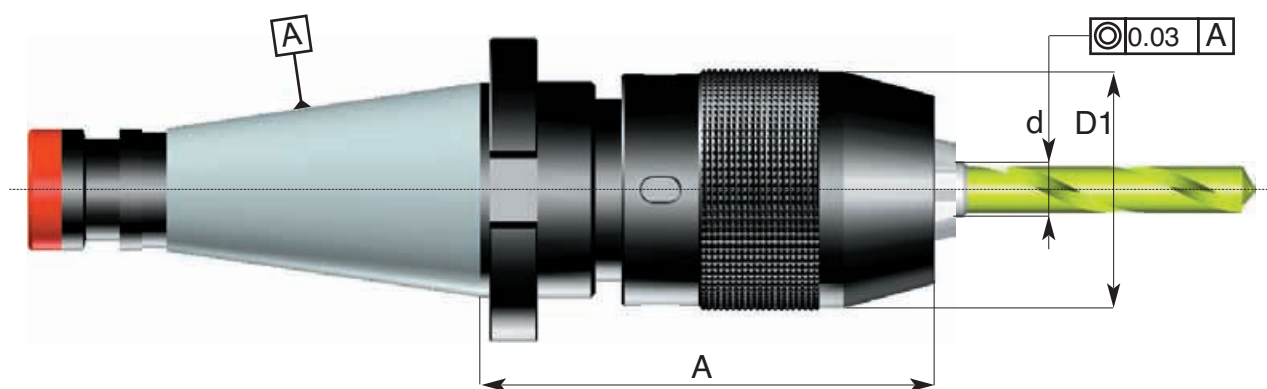
ACCESSORI PER MACCHINE UTENSILI

Mandrini portapunte integrali
Integral drill chucks
Kurze Bohrfutter
Mandrins porte-forets intégraux



DIN 2080

ART: 221



5.
11

| Codice di ord <i>Code</i> | SK | A | D1 | capacità "d" <i>Capacity range "d"</i> |
|------------------------------|-------|----|----|---|
| 221.40.1301 | SK 40 | 90 | 50 | 1-13 |
| 221.40.1603 | SK 40 | 90 | 57 | 3-16 |
| 221.50.1301 | SK 50 | 90 | 50 | 1-13 |
| 221.50.1603 | SK 50 | 90 | 57 | 3-16 |

ADATTI SOLO A ROTAZIONE DESTRA
SUITABLE FOR RIGHT ROTATION ONLY

Forniti completi di chiave
Supplied together with key

5. MANDRINI a cono ISO DIN 2080

TOOL HOLDERS with ISO cone DIN 2080



Riduzioni da cono ISO DIN 2080 a cono ISO DIN 2080
 Adaptors sleeves ISO DIN 2080 to ISO DIN 2080 cone
 Zwischenhülsen ISO DIN 2080 zu ISO DIN 2080 Steilkegel
 Douilles de réduction cône ISO DIN 2080 à ISO DIN 2080

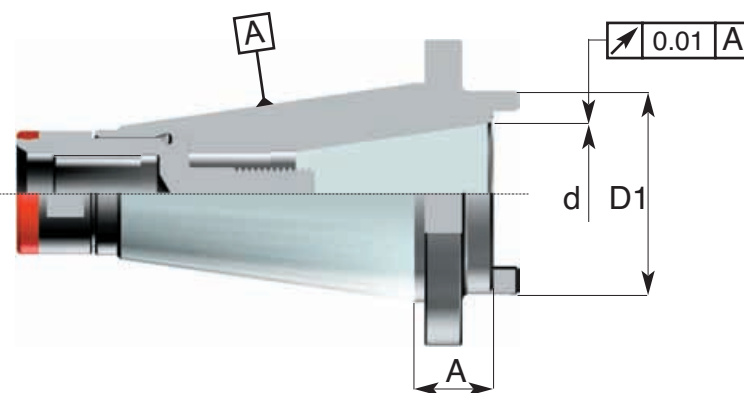
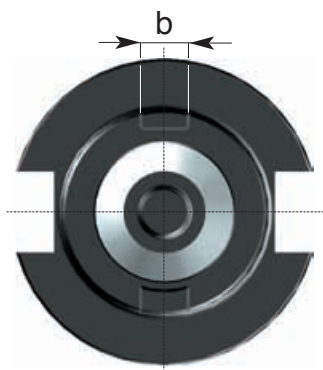
ACCESSORI PER MACCHINE UTENSILI



DIN 2080

ART: 250

5.
12



| Codice di ord Code | SK | SK | d | A | D1 | b | M | Codolo Pull stud |
|-----------------------|-------|-------|--------|----|-----|------|------|---------------------|
| 250.40.0300 | SK 40 | SK 30 | 31.750 | 17 | 51 | 15.9 | M 12 | 296.01 |
| 250.45.0300 | SK 45 | SK 30 | 31.750 | 25 | 55 | 15.9 | M 12 | 296.20.0120 |
| 250.45.0400 | SK 45 | SK 40 | 44.450 | 35 | 68 | 15.9 | M 16 | 296.20.0160 |
| 250.50.0300 | SK 50 | SK 30 | 31.750 | 20 | 68 | 15.9 | M 12 | 296.02 |
| 250.50.0400 | SK 50 | SK 40 | 44.450 | 25 | 80 | 15.9 | M 16 | 296.03 |
| 250.50.0450 | SK 50 | SK 45 | 57.150 | 38 | 85 | 19 | M 20 | 296.24.0200 |
| 250.60.0500 | SK 60 | SK 50 | 69.850 | 27 | 115 | 25.4 | M 24 | 296.04 |



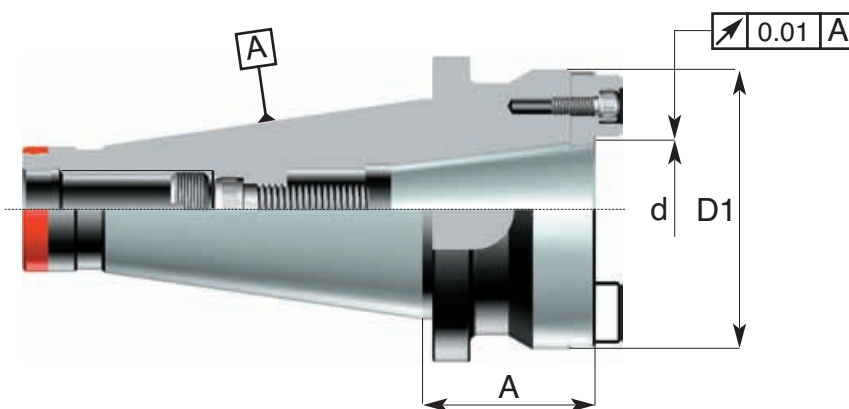
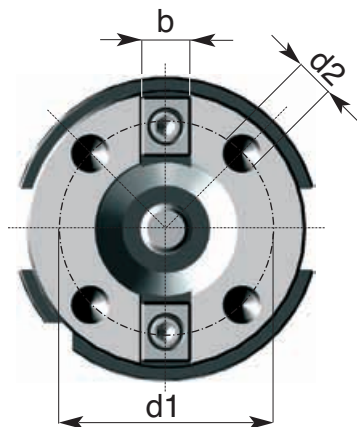
ACCESSORI PER MACCHINE UTENSILI

Riduzioni da cono ISO a cono ISO naso mandrino DIN 2079
 Adaptors sleeves ISO to ISO cone with DIN 2079 spindle nose
 Zwischenhülsen ISO zu ISO Steilkegel mit DIN 2079 Spindelkopf
 Douilles de réduction cône ISO à cône ISO avec nez de broche DIN 2079

DIN 2080

ART: 252

5.
13



| Codice di ord Code | SK | SK | A | D1 h6 | d1 | d2 | b | Tassello Tenon | Vite Screw | Ghiera Nut |
|-----------------------|-------|-------|----|----------|-------|------|-------|-------------------|---------------|---------------|
| 252.40.0400 | SK 40 | SK 40 | 75 | 88.882 | 66.70 | M 12 | 15.90 | 192.02 | 252.00.1640.B | 261.104 |
| 252.50.0300 | SK 50 | SK 30 | 53 | 69.832 | 54.00 | M 10 | 15.90 | 192.01 | 252.00.1260.B | 261.24.0300 |
| 252.50.0400 | SK 50 | SK 40 | 55 | 88.882 | 66.70 | M 12 | 15.90 | 190.02 | 252.00.1650.B | 261.24.0400 |
| 252.50.0450 | SK 50 | SK 45 | 75 | 101.600 | 80.00 | M 12 | 19.00 | 191.45.0190 | 252.00.2050.B | 252.107 |



Pag. 12, 26

5. MANDRINI a cono ISO DIN 2080

TOOL HOLDERS with ISO cone DIN 2080



Riduzioni da cono ISO a cono Morse DIN 6364 B per frese con vite interna
 Morse taper adaptors sleeves for cutters with internal screw - DIN 6364 B
 Zwischenhülsen für Morsekegel mit Auzugsgewinde - DIN 6364 B
 Douilles de réduction à cône Morse pour fraises avec vis - DIN 6364 B

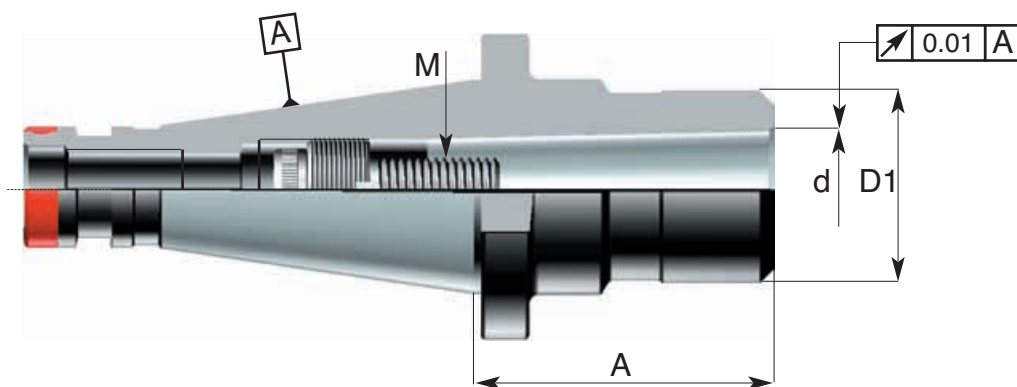
ACCESSORI PER MACCHINE UTENSILI



DIN 2080

ART: 261

5.
14



| Codice di ord Code | SK | Cono Morse | d | A | D1 | M | Vite Screw | Ghiera Nut |
|-----------------------|-------|------------|--------|----|----|------|---------------|---------------|
| 261.40.0100 | SK 40 | Morse 1 | 12.065 | 40 | 25 | M 6 | 261.00.0630 | 261.16.0100 |
| 261.40.0200 | SK 40 | Morse 2 | 17.780 | 50 | 32 | M 10 | 261.00.1035.B | 261.16.0200 |
| 261.40.0300 | SK 40 | Morse 3 | 23.825 | 70 | 40 | M 12 | 261.00.1240 | 261.00.1220 |
| 261.40.0400 | SK 40 | Morse 4 | 31.267 | 95 | 50 | M 16 | 261.00.1650.E | 261.00.1626 |
| 261.50.0100 | SK 50 | Morse 1 | 12.065 | 36 | 25 | M 6 | 261.00.0645 | 261.24.0100 |
| 261.50.0200 | SK 50 | Morse 2 | 17.780 | 50 | 32 | M 10 | 261.00.1040 | 261.24.0200 |
| 261.50.0300 | SK 50 | Morse 3 | 23.825 | 55 | 40 | M 12 | 261.00.1240 | 261.24.0300 |
| 261.50.0400 | SK 50 | Morse 4 | 31.267 | 70 | 50 | M 16 | 261.00.1645.B | 261.24.0400 |
| 261.50.0500 | SK 50 | Morse 5 | 44.399 | 90 | 65 | M 20 | 261.00.2050.E | 261.00.2033 |



ACCESSORI PER MACCHINE UTENSILI

Riduzioni da cono ISO a cono Morse per frese con ingombri ridotti

Morse taper adaptors sleeves for cutters with internal screw

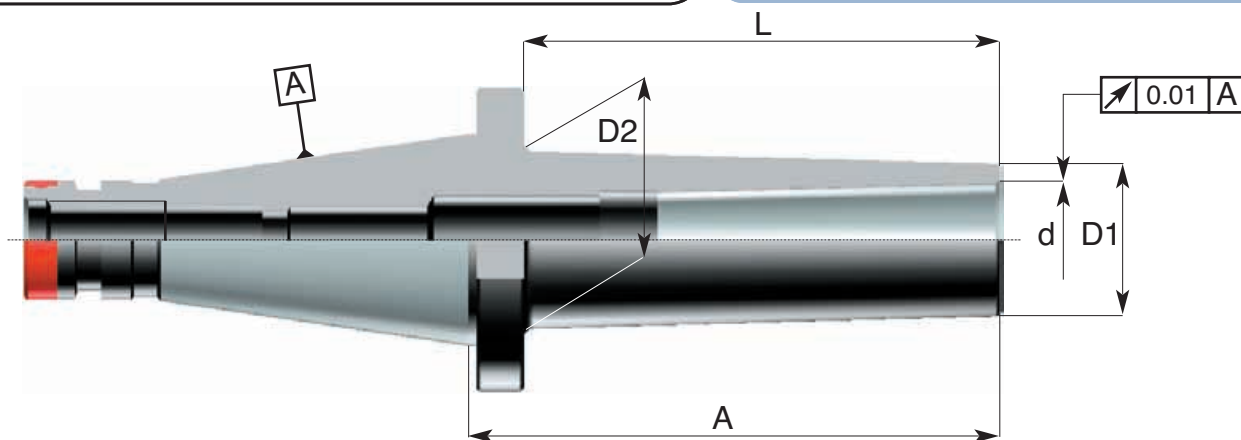
Zwischenhülsen für Morsekegel mit Auzugsgewinde

Douilles de réduction à cône Morse pour fraises avec vis

DIN 2080



ART: 266



5.
15

| Codice di ord Code | SK | CM | d | A | L | D1 | D2 | Vite Screw | Ghiera Nut |
|-----------------------|-------|---------|--------|-------|-----|----|------|----------------|---------------|
| 266.40.0202 | SK 40 | Morse 2 | 17.780 | 111,8 | 100 | 25 | 30 | 266.00.1090.B | 261.16.0200 |
| 266.40.0204 | SK 40 | Morse 2 | 17.780 | 161,8 | 150 | 25 | 33 | 266.00.10140.B | 261.16.0200 |
| 266.40.0206 | SK 40 | Morse 2 | 17.780 | 211,8 | 200 | 25 | 35,5 | 266.00.10180.B | 261.16.0200 |
| 266.40.0300 | SK 40 | Morse 3 | 23.825 | 86,8 | 75 | 32 | 36 | 266.00.1240 | 261.00.1220 |
| 266.40.0302 | SK 40 | Morse 3 | 23.825 | 111,8 | 100 | 32 | 37 | 266.00.1240 | 261.00.1220 |
| 266.40.0304 | SK 40 | Morse 3 | 23.825 | 161,8 | 150 | 32 | 40 | 266.00.1240 | 261.00.1220 |
| 266.40.0306 | SK 40 | Morse 3 | 23.825 | 211,8 | 200 | 32 | 42,5 | 266.00.1240 | 261.00.1220 |
| 266.50.0200 | SK 50 | Morse 2 | 17.780 | 115,2 | 100 | 25 | 30 | 266.00.10100 | 261.24.0200 |
| 266.50.0202 | SK 50 | Morse 2 | 17.780 | 165,2 | 150 | 25 | 33 | 266.00.10130 | 261.24.0200 |
| 266.50.0204 | SK 50 | Morse 2 | 17.780 | 215,2 | 200 | 25 | 35,5 | 266.00.10180 | 261.24.0200 |
| 266.50.0206 | SK 50 | Morse 2 | 17.780 | 265,2 | 250 | 25 | 38 | 266.00.10220 | 261.24.0200 |
| 266.50.0300 | SK 50 | Morse 3 | 23.825 | 115,2 | 100 | 32 | 37 | 266.00.12100 | 261.24.0300 |
| 266.50.0302 | SK 50 | Morse 3 | 23.825 | 165,2 | 150 | 32 | 40 | 266.00.12130 | 261.24.0300 |
| 266.50.0304 | SK 50 | Morse 3 | 23.825 | 215,2 | 200 | 32 | 42,5 | 266.00.12180 | 261.24.0300 |
| 266.50.0306 | SK 50 | Morse 3 | 23.825 | 265,2 | 250 | 32 | 45 | 266.00.12200 | 261.24.0300 |
| 266.50.0308 | SK 50 | Morse 3 | 23.825 | 315,2 | 300 | 32 | 48 | 266.00.12260 | 261.24.0300 |
| 266.50.0309 | SK 50 | Morse 3 | 23.825 | 365,2 | 350 | 32 | 50,5 | 266.00.12300 | 261.24.0300 |
| 266.50.0310 | SK 50 | Morse 3 | 23.825 | 415,2 | 400 | 32 | 53 | 266.00.12300 | 261.24.0300 |
| 266.50.0400 | SK 50 | Morse 4 | 31.267 | 115,2 | 100 | 42 | 47 | 266.00.1680.B | 261.24.0400 |
| 266.50.0402 | SK 50 | Morse 4 | 31.267 | 165,2 | 150 | 42 | 50 | 266.00.16110.B | 261.24.0400 |
| 266.50.0404 | SK 50 | Morse 4 | 31.267 | 215,2 | 200 | 42 | 52,5 | 266.00.16160.B | 261.24.0400 |
| 266.50.0406 | SK 50 | Morse 4 | 31.267 | 265,2 | 250 | 42 | 55 | 266.00.16200.B | 261.24.0400 |
| 266.50.0408 | SK 50 | Morse 4 | 31.267 | 315,2 | 300 | 42 | 58 | 266.00.16260.B | 261.24.0400 |
| 266.50.0409 | SK 50 | Morse 4 | 31.267 | 365,2 | 350 | 42 | 60,5 | 266.00.16300.B | 261.24.0400 |



5. MANDRINI a cono ISO DIN 2080

TOOL HOLDERS with ISO cone DIN 2080



Riduzioni da cono ISO a cono Morse per punte tipo normale e prolungato

Adaptors sleeves from ISO cone to Morse cone for tools with driving shank

Zwischenhülsen mit Steilkegel für Werkzeuge mit Morsekegel und Austreibklappen

Douilles de réduction de cône ISO à cône Morse pour outils munies de dents d'entraînement

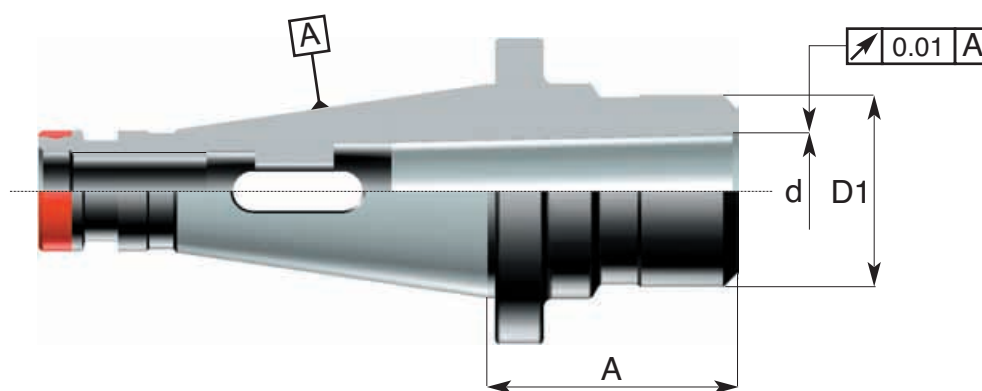
ACCESSORI PER MACCHINE UTENSILI



DIN 2080

ART: 262

5.
16



| Codice di ord Code | SK | Cono Morse | d | A | D1 | Combi* |
|-----------------------|-------|------------|--------|-----|----|--------|
| 262.30.0100 | SK 30 | Morse 1 | 12.065 | 35 | 25 | PF |
| 262.30.0102 | SK 30 | Morse 1 | 12.065 | 100 | 20 | - |
| 262.30.0200 | SK 30 | Morse 2 | 17.780 | 47 | 30 | - |
| 262.30.0202 | SK 30 | Morse 2 | 17.780 | 115 | 30 | - |
| 262.30.0300 | SK 30 | Morse 3 | 23.825 | 75 | 35 | - |
| 262.30.0302 | SK 30 | Morse 3 | 23.825 | 135 | 38 | - |
| 262.40.0100 | SK 40 | Morse 1 | 12.065 | 32 | 25 | PF |
| 262.40.0200 | SK 40 | Morse 2 | 17.780 | 35 | 30 | PF |
| 262.40.0202 | SK 40 | Morse 2 | 17.780 | 115 | 30 | PF |
| 262.40.0300 | SK 40 | Morse 3 | 23.825 | 52 | 40 | PF |
| 262.40.0302 | SK 40 | Morse 3 | 23.825 | 140 | 38 | - |
| 262.40.0400 | SK 40 | Morse 4 | 31.267 | 80 | 50 | - |
| 262.40.0402 | SK 40 | Morse 4 | 31.267 | 160 | 48 | - |
| 262.40.0502 | SK 40 | Morse 5 | 44.399 | 195 | 60 | - |
| 262.50.0100 | SK 50 | Morse 1 | 12.065 | 35 | 35 | PF |
| 262.50.0200 | SK 50 | Morse 2 | 17.780 | 40 | 35 | PF |
| 262.50.0202 | SK 50 | Morse 2 | 17.780 | 125 | 30 | PF |
| 262.50.0300 | SK 50 | Morse 3 | 23.825 | 45 | 40 | PF |
| 262.50.0302 | SK 50 | Morse 3 | 23.825 | 145 | 40 | PF |
| 262.50.0400 | SK 50 | Morse 4 | 31.267 | 55 | 50 | PF |
| 262.50.0402 | SK 50 | Morse 4 | 31.267 | 175 | 50 | PF |
| 262.50.0500 | SK 50 | Morse 5 | 44.399 | 85 | 65 | - |
| 262.50.0502 | SK 50 | Morse 5 | 44.399 | 205 | 65 | - |
| 262.50.0600 | SK 50 | Morse 6 | 63.348 | 190 | 85 | - |
| 262.50.0602 | SK 50 | Morse 6 | 63.348 | 265 | 85 | - |

*Le riduzioni PF sono adatte anche per frese con attacco DIN 228-A; per i tipi ISO 30 CM2-3, ISO 40 CM3-4, ISO 45 CM5 e ISO 50 CM5 è necessario l'uso del tirante lungo (vedi sezione tiranti)

*PF adaptors are suitable for clamping mills with MT-shank; for ISO 30 MK2-3, ISO 40 MK3-4, ISO 45 MK5 e ISO 50 MK5 is necessary the long pull stud (see pull studs section)

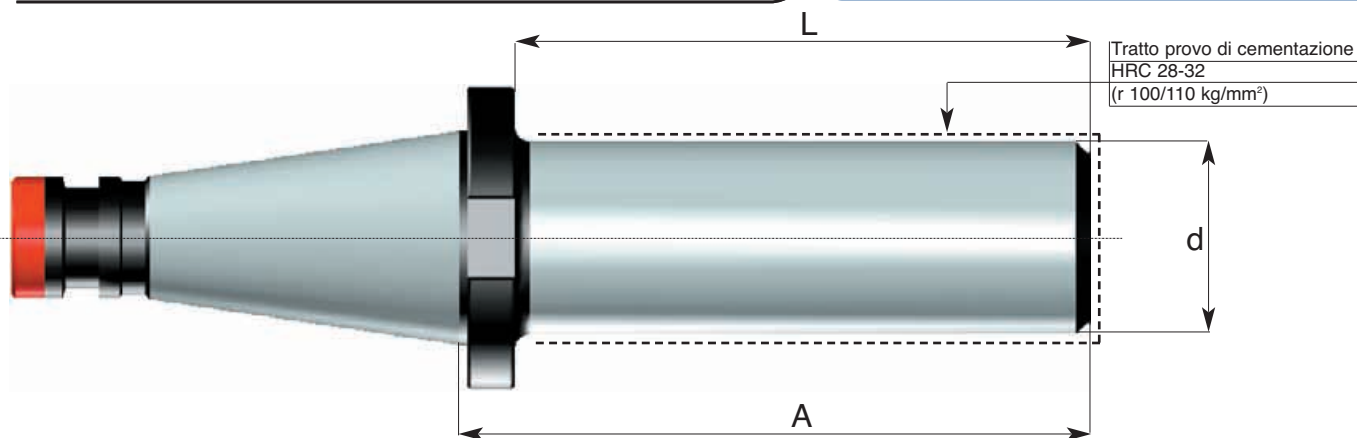
ACCESSORI PER MACCHINE UTENSILI

Barre semifinite con tratto cilindrico privo di cementazione per esecuzioni speciali
 Unfinished taper-shank blanks for special applications
 Rohlinge für spezielle Anwendungen
 Ebauches pour applications spéciales

DIN 2080

ART: 424

5.
17



| Codice di ord Code | SK | d | A | L |
|-----------------------|-------|----|-----|-----|
| 424.40.0402 | SK 40 | 40 | 182 | 170 |
| 424.40.0404 | SK 40 | 40 | 262 | 250 |
| 424.40.0630 | SK 40 | 63 | 162 | 150 |
| 424.40.0632 | SK 40 | 63 | 262 | 250 |
| 424.50.0502 | SK 50 | 50 | 225 | 210 |
| 424.50.0504 | SK 50 | 50 | 330 | 315 |
| 424.50.0632 | SK 50 | 63 | 265 | 250 |
| 424.50.0634 | SK 50 | 63 | 415 | 400 |
| 424.50.1000 | SK 50 | 97 | 265 | 250 |
| 424.50.1002 | SK 50 | 97 | 415 | 400 |

5. MANDRINI a cono ISO DIN 2080

TOOL HOLDERS with ISO cone DIN 2080



Mandrini portapinze Delta per pinze rif. art.209

Delta collet chucks for collets ref. art.209

Delta Spannzangenhalter für Spannzangen ref. art.209

Mandrins porte-pinces Delta pour pinces ref. art.209

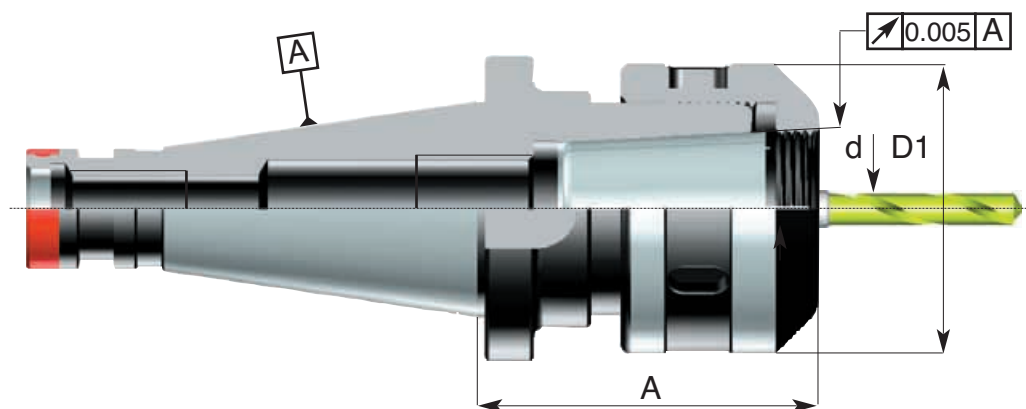
ACCESSORI PER MACCHINE UTENSILI

DIN 2080

ART: 200



5.18



| Codice di ord Code | SK | A | D1 | Cap. di chiusura Pinza "d" Capacity range "d" | Tipo pinza Collet | Ghiera Nut |
|-----------------------|-------|----|----|--|----------------------|---------------|
| 200.30.0260 | SK 30 | 63 | 50 | da 3 a 18 | 209.10 | 245.01 |
| 200.40.0320 | SK 40 | 70 | 58 | da 3 a 22 | 209.20 | 245.02 |
| 200.40.0440 | SK 40 | 79 | 73 | da 4 a 32 | 209.30 | 245.03 |
| 200.50.0320 | SK 50 | 70 | 58 | da 3 a 22 | 209.20 | 245.02 |
| 200.50.0440 | SK 50 | 75 | 73 | da 4 a 32 | 209.30 | 245.03 |
| 200.60.0440 | SK 60 | 95 | 73 | da 4 a 32 | 209.30 | 245.03 |

Cassette con mandrini per pinze Delta rif. art.209
 Boxes with Delta collet chucks and collets ref. art.209
 Kassetten mit Spannzangenhalter Delta und Spannzangen ref. art.209
 Coffrets avec mandrins à pinces Delta et pinces ref. art.209

DIN 2080

CASSETTE 15

ART: 202

5.
19



| Codice di ord. Code | Mandrino Chuck | SK | Tipo pinza Collets type | Numero pinze Collets nr. | Ø Pinza Ø Collets |
|------------------------|-------------------|-----------------|----------------------------|-----------------------------|-------------------------|
| 15.01 | 200.30.0260 | ISO 30 DIN 2080 | 209.10 | 7 | 3-4-6-8-10-12-16 |
| 15.02 | 200.30.0260 | ISO 30 DIN 2080 | 209.10 | 14 | da 3 a 16 |
| 15.05 | 200.40.0320 | ISO 40 DIN 2080 | 209.20 | 7 | 4-6-8-10-12-16-20 |
| 15.06 | 200.40.0320 | ISO 40 DIN 2080 | 209.20 | 18 | da 3 a 20 |
| 15.07 | 200.40.0440 | ISO 40 DIN 2080 | 209.30 | 9 | 4-6-8-10-12-16-20-25-32 |
| 15.08 | 200.40.0440 | ISO 40 DIN 2080 | 209.30 | 28 | da 4 a 32 |
| 15.09 | 200.50.0440 | ISO 50 DIN 2080 | 209.30 | 9 | 4-6-8-10-12-16-20-25-32 |
| 15.10 | 200.50.0440 | ISO 50 DIN 2080 | 209.30 | 28 | da 4 a 32 |

5. MANDRINI a cono ISO DIN 2080

TOOL HOLDERS with ISO cone DIN 2080



Mandrini portapinze EOC tipo normale e prolungato DIN 6388

Collet chucks EOC - DIN 6388

Spannzangenhalter EOC - DIN 6388

Mandrins porte-pinces EOC - DIN 6388

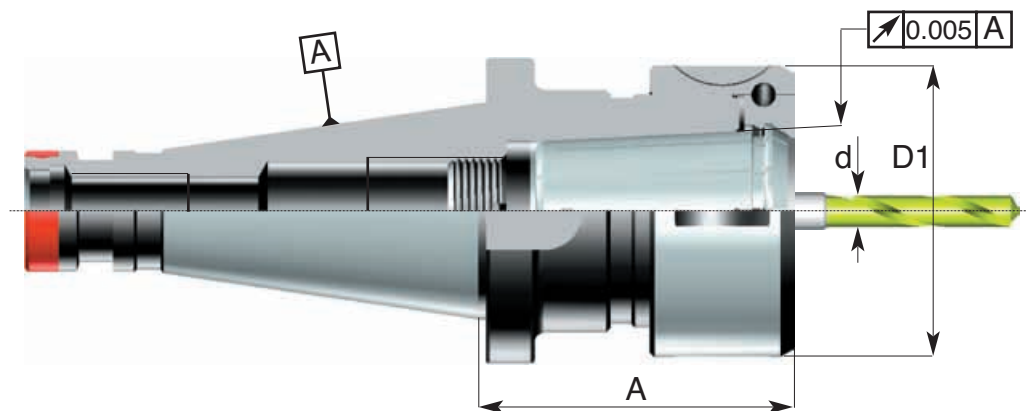
ACCESSORI PER MACCHINE UTENSILI



DIN 2080

ART: 601

5.
20



| Codice di ord Code | SK | EOC | A | D1 | Cap. di chiusura Pinza "d" Capacity range "d" | Ghiera Nut |
|-----------------------|-------|-----|-----|----|--|---------------|
| 601.40.0350 | SK 40 | 25 | 70 | 60 | da 3 a 25 | 245.48.0350 |
| 601.40.0352 | SK 40 | 25 | 120 | 60 | da 3 a 25 | 245.48.0350 |
| 601.40.0440 | SK 40 | 32 | 70 | 72 | da 4 a 32 | 245.60.0440 |
| 601.40.0442 | SK 40 | 32 | 120 | 72 | da 4 a 32 | 245.60.0440 |
| 601.50.0350 | SK 50 | 25 | 75 | 60 | da 3 a 25 | 245.48.0350 |
| 601.50.0352 | SK 50 | 25 | 120 | 60 | da 3 a 25 | 245.48.0350 |
| 601.50.0440 | SK 50 | 32 | 80 | 72 | da 4 a 32 | 245.60.0440 |
| 601.50.0442 | SK 50 | 32 | 120 | 72 | da 4 a 32 | 245.60.0440 |

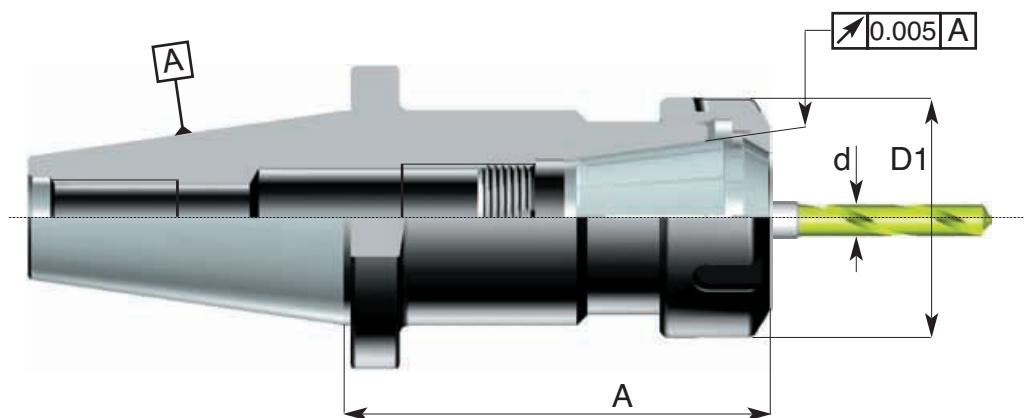
ACCESSORI PER MACCHINE UTENSILI



Mandrini "GNUTTI" portapinze ER DIN 6499 - ghiera standard
 Collet chucks "GNUTTI" ER DIN 6499 - standard nut
 Spannzangenhalter "GNUTTI" ER DIN 6499 - standard Spannmutter
 Mandrins porte-pinces "GNUTTI" ER DIN 6499 - écrou standard

GNUTTI

ART: GNU.607
 ghiera standard / standard nut



5.
21



| Codice di ord Code | SK | ER | A | D1 | Cap. di chiusura Pinza "d" Capacity range "d" | Ghiera Nut |
|-----------------------|-------|------|-----|----|--|---------------|
| GNU.60730032050 | SK 30 | ER32 | 50 | 50 | da 1 a 20 | 245.40.ER32 |
| GNU.60730032070 | SK 30 | ER32 | 70 | 50 | da 1 a 20 | 245.40.ER32 |
| GNU.60730032080 | SK 30 | ER32 | 80 | 50 | da 1 a 20 | 245.40.ER32 |
| GNU.60730032090 | SK 30 | ER32 | 90 | 50 | da 1 a 20 | 245.40.ER32 |
| GNU.607300320100 | SK 30 | ER32 | 100 | 50 | da 1 a 20 | 245.40.ER32 |
| GNU.607300320110 | SK 30 | ER32 | 110 | 50 | da 1 a 20 | 245.40.ER32 |
| GNU.60730040070 | SK 30 | ER40 | 70 | 63 | da 2 a 30 | 245.50.ER40 |
| GNU.60730040080 | SK 30 | ER40 | 80 | 63 | da 2 a 30 | 245.50.ER40 |
| GNU.60730040090 | SK 30 | ER40 | 90 | 63 | da 2 a 30 | 245.50.ER40 |
| GNU.607300400100 | SK 30 | ER40 | 100 | 63 | da 2 a 30 | 245.50.ER40 |
| GNU.607300400110 | SK 30 | ER40 | 110 | 63 | da 2 a 30 | 245.50.ER40 |
| GNU.60740032070 | SK 40 | ER32 | 70 | 50 | da 1 a 20 | 245.40.ER32 |
| GNU.60740032090 | SK 40 | ER32 | 90 | 50 | da 1 a 20 | 245.40.ER32 |
| GNU.607400320100 | SK 40 | ER32 | 100 | 50 | da 1 a 20 | 245.40.ER32 |
| GNU.607400320120 | SK 40 | ER32 | 120 | 50 | da 1 a 20 | 245.40.ER32 |
| GNU.607400320150 | SK 40 | ER32 | 150 | 50 | da 1 a 20 | 245.40.ER32 |
| GNU.60740040070 | SK 40 | ER40 | 70 | 63 | da 2 a 30 | 245.50.ER40 |
| GNU.60740040090 | SK 40 | ER40 | 90 | 63 | da 2 a 30 | 245.50.ER40 |
| GNU.607400400100 | SK 40 | ER40 | 100 | 63 | da 2 a 30 | 245.50.ER40 |
| GNU.607400400120 | SK 40 | ER40 | 120 | 63 | da 2 a 30 | 245.50.ER40 |

5. MANDRINI a cono ISO DIN 2080

TOOL HOLDERS with ISO cone DIN 2080



Mandrini portapinze ER DIN 6499 - ghiera standard

Collet chucks ER DIN 6499 - standard nut

Spannzangenhalter ER DIN 6499 - standard Spannmutter

Mandrins porte-pinces ER DIN 6499 - écrou standard

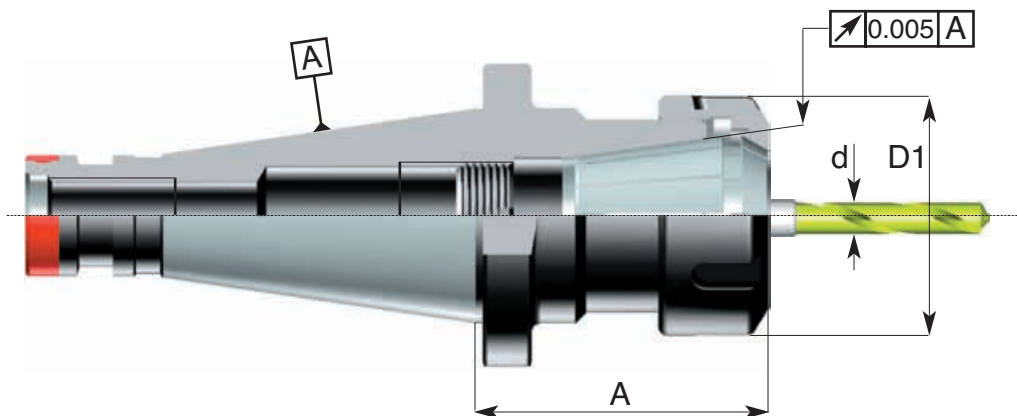
ACCESSORI PER MACCHINE UTENSILI



DIN 2080

ART: 607

ghiera standard / standard nut



| Codice di ord Code | SK | ER | A | D1 | Cap. di chiusura Pinza "d" Capacity range "d" | Ghiera Nut |
|-----------------------|-------|-------|-----|----|--|---------------|
| 607.30.0250 | SK 30 | ER 25 | 50 | 42 | da 1 a 16 | 245.32.ER25 |
| 607.30.0252 | SK 30 | ER 25 | 90 | 42 | da 1 a 16 | 245.32.ER25 |
| 607.30.0320 | SK 30 | ER 32 | 50 | 50 | da 1 a 20 | 245.40.ER32 |
| 607.30.0320.A | SK 30 | ER 32 | 60 | 50 | da 1 a 20 | 245.40.ER32 |
| 607.30.0321 | SK 30 | ER 32 | 70 | 50 | da 1 a 20 | 245.40.ER32 |
| 607.30.0321.A | SK 30 | ER 32 | 80 | 50 | da 1 a 20 | 245.40.ER32 |
| 607.30.0322 | SK 30 | ER 32 | 90 | 50 | da 1 a 20 | 245.40.ER32 |
| 607.30.0323 | SK 30 | ER 32 | 100 | 50 | da 1 a 20 | 245.40.ER32 |
| 607.30.0323.A | SK 30 | ER 32 | 110 | 50 | da 1 a 20 | 245.40.ER32 |
| 607.30.0324 | SK 30 | ER 32 | 120 | 50 | da 1 a 20 | 245.40.ER32 |
| 607.30.0400 | SK 30 | ER 40 | 70 | 63 | da 2 a 30 | 245.50.ER40 |
| 607.30.0401 | SK 30 | ER 40 | 80 | 63 | da 2 a 30 | 245.50.ER40 |
| 607.30.0401.A | SK 30 | ER 40 | 90 | 63 | da 2 a 30 | 245.50.ER40 |
| 607.30.0402 | SK 30 | ER 40 | 100 | 63 | da 2 a 30 | 245.50.ER40 |
| 607.40.0160 | SK 40 | ER 16 | 60 | 28 | da 0,5 a 10 | 245.22. ER16 |
| 607.40.0162 | SK 40 | ER 16 | 120 | 28 | da 0,5 a 10 | 245.22. ER16 |
| 607.40.0200 | SK 40 | ER 20 | 60 | 34 | da 0,5 a 13 | 245.25.ER20 |
| 607.40.0202 | SK 40 | ER 20 | 120 | 34 | da 0,5 a 13 | 245.25.ER20 |
| 607.40.0250 | SK 40 | ER 25 | 60 | 42 | da 1 a 16 | 245.32.ER25 |
| 607.40.0252 | SK 40 | ER 25 | 120 | 42 | da 1 a 16 | 245.32.ER25 |
| 607.40.0320.C | SK 40 | ER 32 | 50 | 50 | da 1 a 20 | 245.40.ER32 |
| 607.40.0320 | SK 40 | ER 32 | 60 | 50 | da 1 a 20 | 245.40.ER32 |
| 607.40.0320.A | SK 40 | ER 32 | 80 | 50 | da 1 a 20 | 245.40.ER32 |
| 607.40.0320.90 | SK 40 | ER 32 | 90 | 50 | da 1 a 20 | 245.40.ER32 |
| 607.40.0321 | SK 40 | ER 32 | 100 | 50 | da 1 a 20 | 245.40.ER32 |
| 607.40.0321.A | SK 40 | ER 32 | 110 | 50 | da 1 a 20 | 245.40.ER32 |
| 607.40.0322 | SK 40 | ER 32 | 120 | 50 | da 1 a 20 | 245.40.ER32 |
| 607.40.0324 | SK 40 | ER 32 | 150 | 50 | da 1 a 20 | 245.40.ER32 |
| 607.40.0400 | SK 40 | ER 40 | 60 | 63 | da 2 a 30 | 245.50.ER40 |
| 607.40.0401.A | SK 40 | ER 40 | 100 | 63 | da 2 a 30 | 245.50.ER40 |
| 607.40.0402 | SK 40 | ER 40 | 120 | 63 | da 2 a 30 | 245.50.ER40 |
| 607.40.0404 | SK 40 | ER 40 | 150 | 63 | da 2 a 30 | 245.50.ER40 |
| 607.50.0250 | SK 50 | ER 25 | 70 | 42 | da 1 a 16 | 245.32.ER25 |
| 607.50.0252 | SK 50 | ER 25 | 120 | 42 | da 1 a 16 | 245.32.ER25 |
| 607.50.0320 | SK 50 | ER 32 | 70 | 50 | da 1 a 20 | 245.40.ER32 |
| 607.50.0322 | SK 50 | ER 32 | 120 | 50 | da 1 a 20 | 245.40.ER32 |
| 607.50.0400 | SK 50 | ER 40 | 70 | 63 | da 2 a 30 | 245.50.ER40 |
| 607.50.0402 | SK 50 | ER 40 | 120 | 63 | da 2 a 30 | 245.50.ER40 |

Cassette con portapinze ER pinze complete di chiave di serraggio
 Boxes with ER collet chucks and collets - supplied with wrench
 Kassetten mit Spannzangenhalter ER und Spannzangen - geliefert mit Schlüssel
 Coffrets avec mandrins à pinces ER et pinces - fournis avec clé

DIN 2080

CASSETTE DIN 2080
ART: 607...

5.
23



| Codice di ord. Code | Mandrino Chuck | SK | Tipo pinza Collets type | Numero pinze Collets nr. | Ø Pinza Ø Collets |
|------------------------|-------------------|-----------------|----------------------------|-----------------------------|-------------------------|
| 30.09.ER32 | 607.30.0320 | ISO 30 DIN 2080 | ER32 | 9 | 4-6-8-10-12-14-16-18-20 |
| 30.18.ER32 | 607.30.0320 | ISO 30 DIN 2080 | ER32 | 18 | da 3 a 20 |
| 40.09.ER32 | 607.40.0320 | ISO 40 DIN 2080 | ER32 | 9 | 4-6-8-10-12-14-16-18-20 |
| 40.18.ER32 | 607.40.0320 | ISO 40 DIN 2080 | ER32 | 18 | da 3 a 20 |
| 40.09.ER40 | 607.40.0400 | ISO 40 DIN 2080 | ER40 | 9 | 4-6-8-10-12-14-16-18-20 |
| 40.23.ER40 | 607.40.0400 | ISO 40 DIN 2080 | ER40 | 23 | da 4 a 26 |
| 50.09.ER32 | 607.50.0320 | ISO 50 DIN 2080 | ER32 | 9 | 4-6-8-10-12-14-16-18-20 |
| 50.18.ER32 | 607.50.0320 | ISO 50 DIN 2080 | ER32 | 18 | da 3 a 20 |
| 50.09.ER40 | 607.50.0400 | ISO 50 DIN 2080 | ER40 | 9 | 4-6-8-10-12-14-16-18-20 |
| 50.23.ER40 | 607.50.0400 | ISO 50 DIN 2080 | ER40 | 23 | da 4 a 26 |

5. MANDRINI a cono ISO DIN 2080

TOOL HOLDERS with ISO cone DIN 2080



Mandrini per astucci registrabili e portautensili con gambo a norma din 6327

Adaptors for adjustable inserts DIN 6327

Zwischenhülsen für axialverstellbare Futter DIN 6327

Douilles pour mandrins réglables axialement DIN 6327

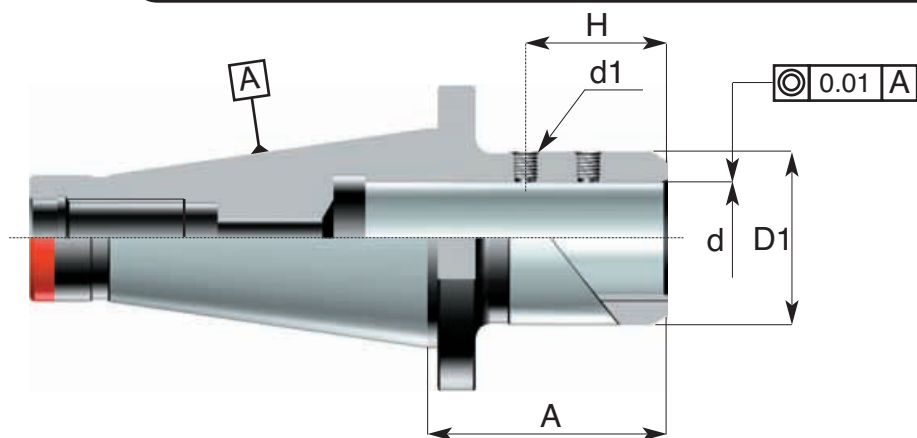
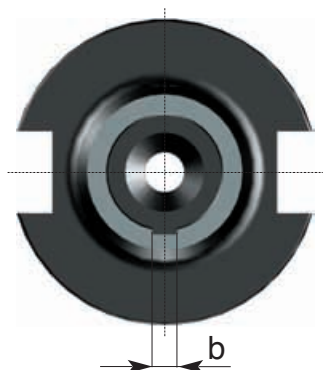
ACCESSORI PER MACCHINE UTENSILI



DIN 2080

ART: 610

5.
24



| Codice di ord Code | SK | d h7 | A | D1 | H | b C11 | Grano di serraggio "d1" Clamping screw "d1" |
|-----------------------|-------|---------|-----|----|----|----------|--|
| 610.40.0250 | SK 40 | 25 | 65 | 37 | 38 | 6 | 610.00.0060 |
| 610.40.0280 | SK 40 | 28 | 70 | 40 | 38 | 6 | 610.00.0060 |
| 610.40.0320 | SK 40 | 32 | 110 | 45 | 45 | 8 | 610.00.0080 |
| 610.40.0360 | SK 40 | 36 | 115 | 50 | 45 | 8 | 610.00.0080 |
| 610.50.0280 | SK 50 | 28 | 70 | 40 | 38 | 6 | 610.00.0080 |
| 610.50.0320 | SK 50 | 32 | 70 | 45 | 45 | 8 | 610.00.0080 |
| 610.50.0360 | SK 50 | 36 | 70 | 50 | 45 | 8 | 610.00.0080 |
| 610.50.0480 | SK 50 | 48 | 100 | 67 | 57 | 10 | 610.00.0100 |



ACCESSORI PER MACCHINE UTENSILI

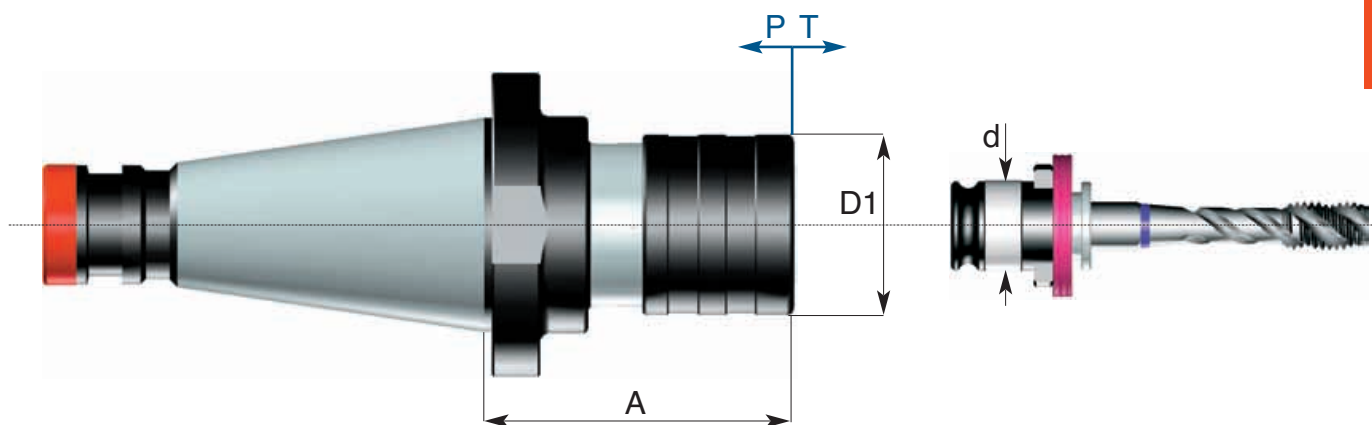


Maschiatori a cambio rapido con compensazione elastica assiale a trazione e pressione
uick-change tapping chuck with compensation in compression and tension
Gewindeschneid- und Schnellwechselfutter mit Ausgleich auf Druck und Zug
Mandrin à tarauder à changement rapid avec compensation longitudinale et de la traction

DIN 2080

ART: 638

5.
25



| Codice di ord Code | SK | A | D1 | d | Capacità maschiatore Tapping capacity | Compensazione assiale T Axial compensation P | |
|-----------------------|-------|-----|----|----|--|---|----|
| 638.30.1205 | SK 30 | 60 | 36 | 19 | M3 - M14 | 5 | 7 |
| 638.40.1205 | SK 40 | 60 | 36 | 19 | M3 - M14 | 5 | 7 |
| 638.40.2008 | SK 40 | 85 | 53 | 31 | M8 - M24 | 12 | 13 |
| 638.50.1205 | SK 50 | 70 | 36 | 19 | M3 - M14 | 5 | 7 |
| 638.50.2008 | SK 50 | 95 | 53 | 31 | M8 - M24 | 12 | 12 |
| 638.50.3310 | SK 50 | 130 | 78 | 48 | M14 - M36 | 15 | 20 |



5. MANDRINI a cono ISO DIN 2080

TOOL HOLDERS with ISO cone DIN 2080



Cilindro di collaudo certificato

Test arbors with test certificate

Kontrolldorne mit Prüfungszeugnis

Mandrins de contrôle avec certificat de bon fonctionnement

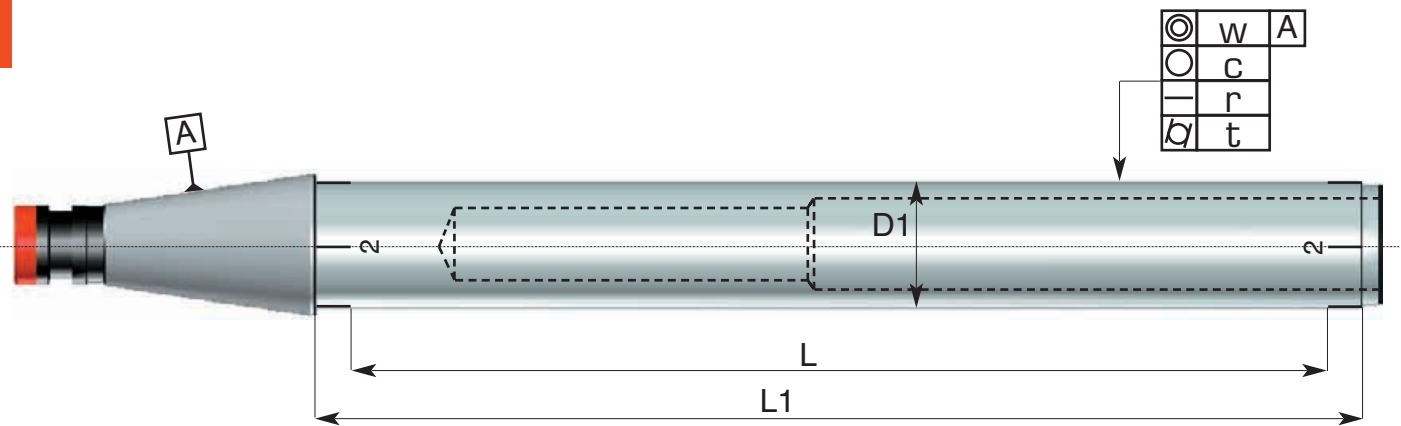
ACCESSORI PER MACCHINE UTENSILI



DIN 2080

ART: 808

5.
26



| Codice di ord Code | SK | D1 H5 | L | L1 | w | c | r | t |
|-----------------------|-------|----------|-----|-----|-------|-------|-------|-------|
| 808.30.0320 | SK 30 | 32 | 200 | 225 | 0.003 | 0.003 | 0.003 | 0.003 |
| 808.40.0400 | SK 40 | 40 | 300 | 337 | 0.004 | 0.003 | 0.003 | 0.003 |
| 808.50.0400 | SK 50 | 40 | 300 | 338 | 0.003 | 0.003 | 0.003 | 0.003 |
| 808.50.0630 | SK 50 | 63 | 500 | 538 | 0.004 | 0.004 | 0.003 | 0.003 |



www.delta-spa.com



PORTAUTENSILI A CONO ISO DIN 2088 E MORSE PER MACCHINE UTENSILI TRADIZIONALI
CONTROPUNTE ROTANTI E FISSE - MANDRINI MASCHIATORI A CAMBIO RAPIDO
TOOLHOLDERS FOR MILLING AND BORING MACHINES WITH ISO AND MORSE
PRECISION RUNNING TAIL CENTERS - QUICK CHANGE TAPPING CHUCKS

PORTAUTENSILI A CONO ISO DIN 69871/A-B, CAT E MAS BT 405 PER CENTRI DI LATHE
A CONTROLLO NUMERICO
TOOLHOLDERS FOR CNC MACHINERY WITH ISO DIN 69871/A-B, CAT AND MAS BT 405

PORTAUTENSILI CON ATTACCO HSK DIN 69893 FORMA A -
TOOLHOLDERS WITH HSK TAPER DIN 69893 FORM A

MANDRINO HYDRO DELTA A CHIUSURA IDRAULICA
HYDRO DELTA CHUCKS HYDRAULIC CLAMPING

PORTAUTENSILI PER TORNI A CONTROLLO NUMERICO DIN 69880 UDI 3
TOOLHOLDERS FOR NC LATHES DIN 69880 UDI 3

MANDRINI MACCHINA PRINCIPALI - PORTAUTENSILI SPECIALI A DISEGNO CLIENTI
MACHINE MAIN SPINDLES - SPECIAL TOOLHOLDERS ON CUSTOMER'S REQUEST

6.2

- cambio rapido "DELTA RAPID"
Quick change device "DELTA RAPID"

6.3

- cambio rapido "DELTA RAPID"
Quick change device "DELTA RAPID"

6.4

- cambio rapido "DELTA RAPID"
Quick change device "DELTA RAPID"

6.5

- cambio rapido "DELTA RAPID"
Quick change device "DELTA RAPID"



DELTA RAPID
Cambi rapidi
Quick change device

6

 **delta**

6. CAMBI RAPIDI DELTA

QUICK CHANGE DEVICES



Dispositivo di cambio rapido "DELTA RAPID" per fresatrici-alesatrici

Quick change device "Delta Rapid" for milling and boring machines

Schnellwechseinrichtung "Delta Rapid" für Bohr- und Fräsmaschinen

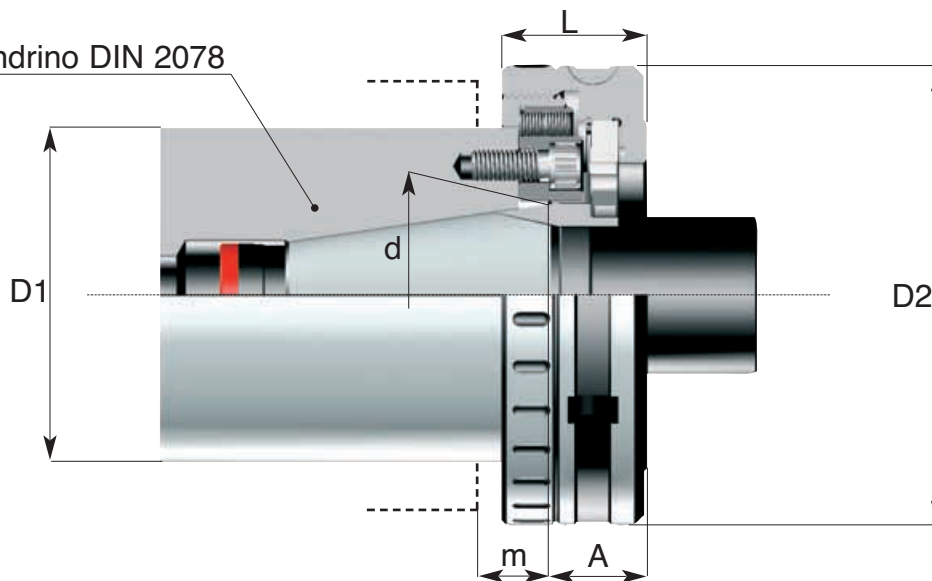
Dispositif pour changement rapide d'outillages "Delta Rapid" pour fraiseuses et aléseuses

ACCESSORI PER MACCHINE UTENSILI



ART: 100

Naso mandrino DIN 2078



| Codice di ord Code | SK | d | D1 h5 | D2 | m | A | L |
|-----------------------|-------|--------|----------|-----|------|----|----|
| 100.30.0300 | SK 30 | 31.750 | 69.832 | 103 | 12.5 | 26 | 38 |
| 100.40.0400 | SK 40 | 44.450 | 88.882 | 129 | 16 | 30 | 46 |
| 100.50.0500 | SK 50 | 69.850 | 128.570 | 178 | 19 | 38 | 56 |

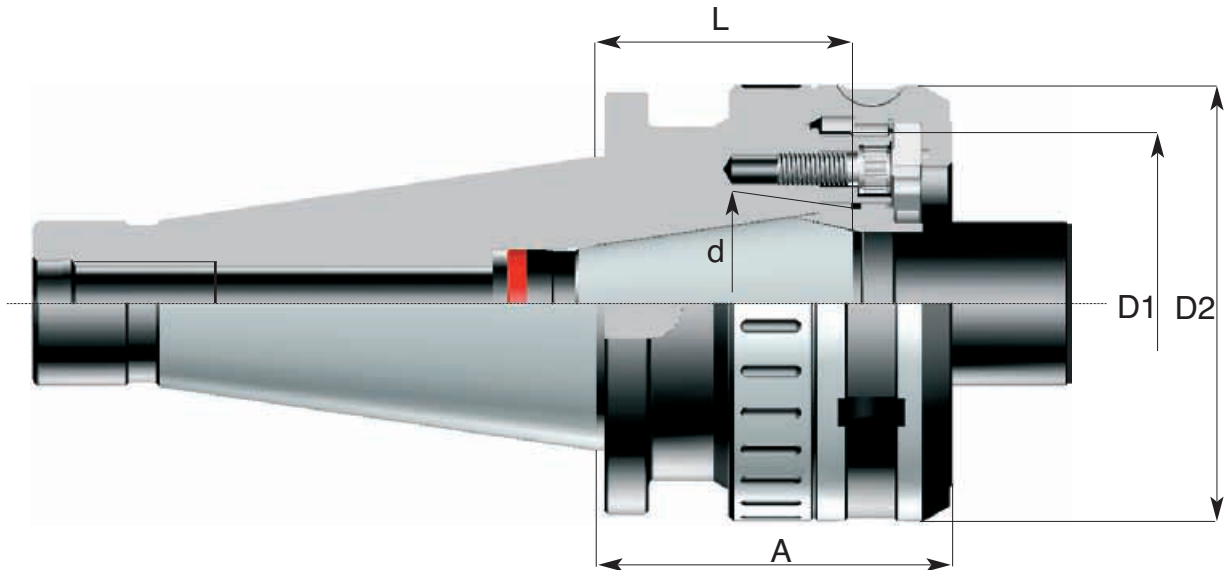
ACCESSORI PER MACCHINE UTENSILI

Dispositivo di cambio rapido "DELTA RAPID" da cono ISO a cono ISO per fresatrici-alesatrici
 Quick change device "Delta Rapid" ISO to ISO cone for milling and boring machines
 Schnellwechseinrichtung "Delta Rapid" Steilkegel ISO zu ISO für Bohr- und Fräsmaschinen
 Dispositif pour chang. rapid "Delta Rapid" cône ISO à ISO pour fraiseuses et aléseuses



DIN 2080

ART: 102



6.
3

| Codice di ord Code | SK ext. DIN 2080 | SK int. DIN 2080 | d | D1 h5 | D2 | L | A |
|-----------------------|---------------------|---------------------|--------|----------|-----|-----|-----|
| 102.40.0300 | SK 40 | SK 30 | 31.750 | 69.832 | 92 | 45 | 70 |
| 102.40.0400 | SK 40 | SK 40 | 44.450 | 88.882 | 118 | 78 | 105 |
| 102.45.0400 | SK 45 | SK 40 | 44.450 | 88.882 | 118 | 60 | 90 |
| 102.50.0400 | SK 50 | SK 40 | 44.450 | 88.882 | 118 | 60 | 90 |
| 102.50.0500 | SK 50 | SK 50 | 69.850 | 128.570 | 158 | 100 | 130 |
| 102.60.0500 | SK 60 | SK 50 | 69.850 | 128.570 | 158 | 80 | 117 |

6. CAMBI RAPIDI DELTA

QUICK CHANGE DEVICES



Dispositivo di cambio rapido "Delta" da cono Morse e Metrico a cono ISO

"Delta" quick change device from metric and Morse to ISO cone

Schnellwechseleinrichtung "Delta" von Morse und metrischem Kegel zu Steilkegel ISO

Dispositif de blocage et débloccage rapide "Delta" de cône Morse et metrique à ISO

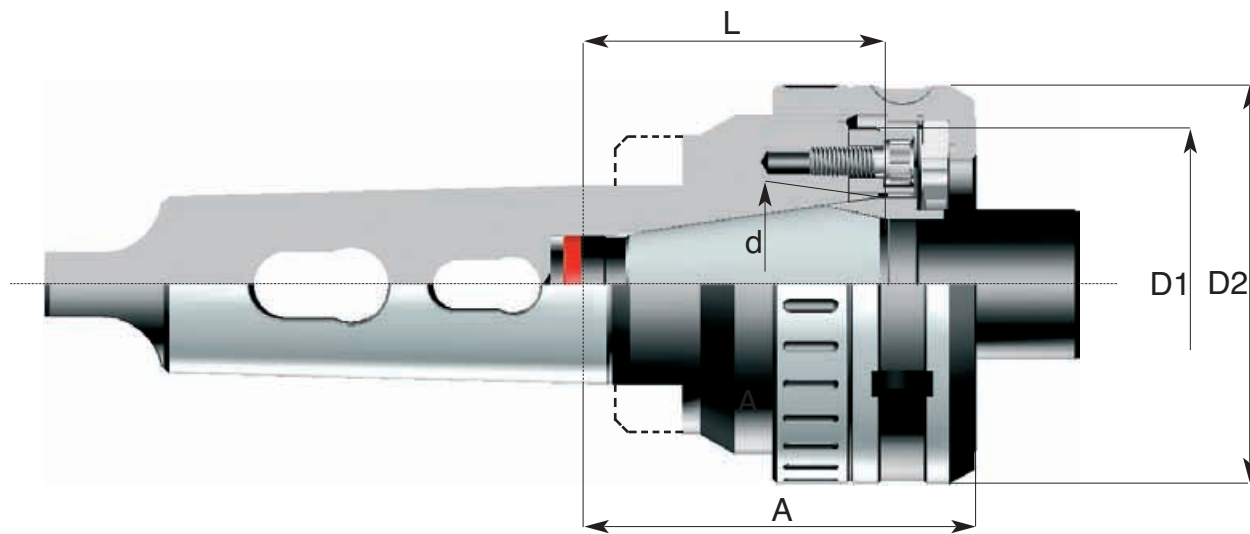
ACCESSORI PER MACCHINE UTENSILI



DIN 228 B

ART: 105

6,
4



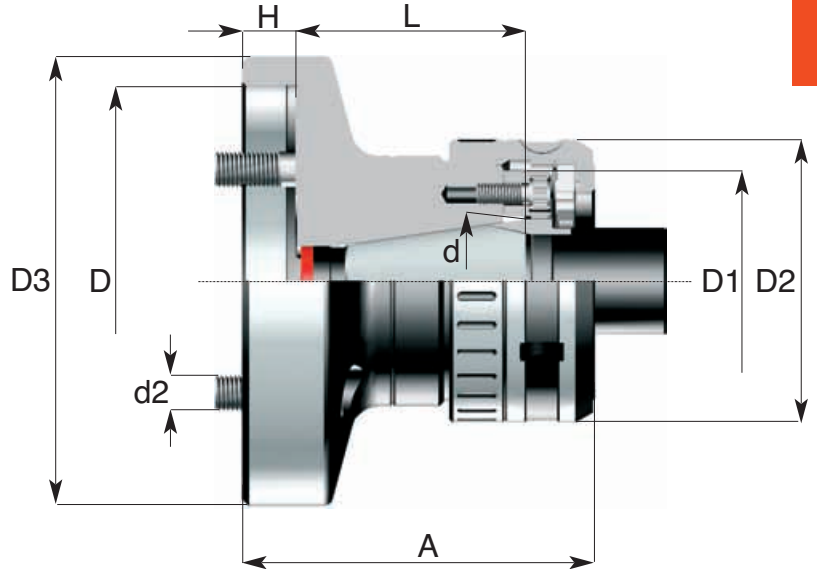
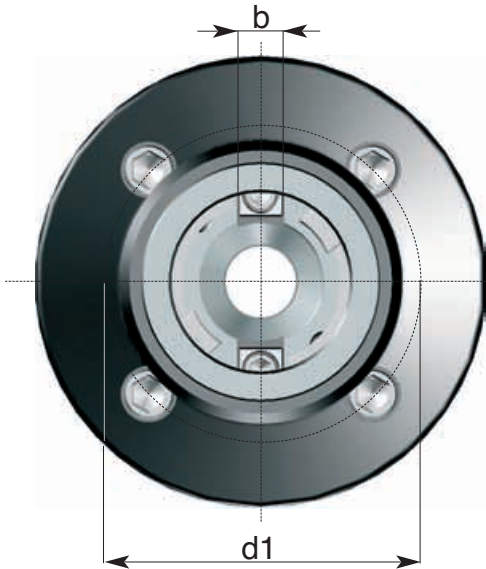
| Codice di ord Code | SK ext. DIN 2080 | SK int. DIN 2080 | d | D1 h5 | D2 | L | A |
|-----------------------|---------------------|---------------------|--------|----------|-----|-----|-----|
| 105.05.0400 | Morse 5 | SK 40 | 44.450 | 88.882 | 118 | 78 | 105 |
| 105.06.0500 | Morse 6 | SK 50 | 69.850 | 128.570 | 158 | 115 | 152 |
| 105.08.0400 | Metr. 80 | SK 40 | 44.450 | 88.882 | 118 | 95 | 123 |
| 105.08.0500 | Metr. 80 | SK 50 | 69.850 | 128.570 | 158 | 115 | 152 |
| 105.10.0500 | Metr. 100 | SK 50 | 69.850 | 128.570 | 158 | 125 | 162 |
| 105.12.0500 | Metr. 120 | SK 50 | 69.850 | 128.570 | 158 | 122 | 159 |

ACCESSORI PER MACCHINE UTENSILI

Dispositivo di cambio rapido "Delta" con ISO con attacco a flangia secondo DIN 2079
 "Delta " quick change device with ISO cone and DIN 2079 flanged coupling
 Schnellwechseinrichtung "Delta " mit Befestigungsflanschsteigekegel DIN 2079
 Dispositif de blocage et débloccage rapide "Delta" à cône ISO avec système d'attaque à bride DIN 2079



ART: 108



6.
5

| Codice di ord Code | SK int. | d | D H6 | D1 h5 | D2 | D3 | L | A | H | d1 | d2 | b |
|-----------------------|---------|--------|---------|----------|-----|-------|-----|-----|----|--------|-----|------|
| 108.40.1280 | SK 40 | 44.450 | 128.570 | 88.882 | 118 | 160 | 101 | 149 | 20 | 101.60 | M16 | 25.4 |
| 108.50.1280 | SK 50 | 69.850 | 128.570 | 128.570 | 158 | 168.5 | 131 | 187 | 20 | 101.60 | M16 | 25.4 |

